

Page	Description
1	Note Page
2	Block Diagram
3	DIE Diagram
4	Clock Diagram
5	Power Diagram
6	I2C and SPI Diagram RF PLL
7	PS Configuration. JTAG
8	PL Configuration
9	PS: 500-502
10	PS: 504 (DDR4)
11	PS: MGT (GTR)
12	PL: Banks 84, 87 (SYZYGY)
13	PL: Banks 67-69 (DDR4)
14	PL: Banks 64-66 (PMOD)
15	PL: Bank 64 and GTY (UNUSED)
16	RF: ADC
17	RF: DAC
18	RF, PS and PL: POWER Pins
19	RF, PS and PL: GND Pins
20	CLOCK 1: SYS, RAM, FMC, GTY, GTR
21	CLOCK 2: RF Clock Jitter Cleaner
22	CLOCK 3: RF PLL1
23	CLOCK 4: RF PLL2
24	I2C Switch
25	SPI bridges
26	SD socket and 1-Wire EEPROM
27	USB to UART/JTAG
28	USB1 3.0 Type-A, 2 Ports (HUB)

Page	Description
29	USB1 2.0 ULPI Transceiver
30	USB0 3.0 Micro AB Slave
31	Ethernet 1Gbit
32	Display Port
33	1PPS (GPS sync.)
34	PMOD Headers
35	SYZYGY Header
36	DDR4 Components 1-3 (PS)
37	DDR4 Components 4 (PS)
38	DDR4 Components 1-3 (PL)
39	DDR4 Components 4 (PL)
40	PWR IN, User IO, LEDs
41	PWR 1: 0.85V
42	PWR 2: 1.8V and 3.3V
43	PWR 3: RF DC/DC and 5V
44	PWR 4: DDR4
45	PWR 5: RF LDO
46	PWR 6: SYZYGY
47	Current Monitor
48	Sequencer
49	CAPs

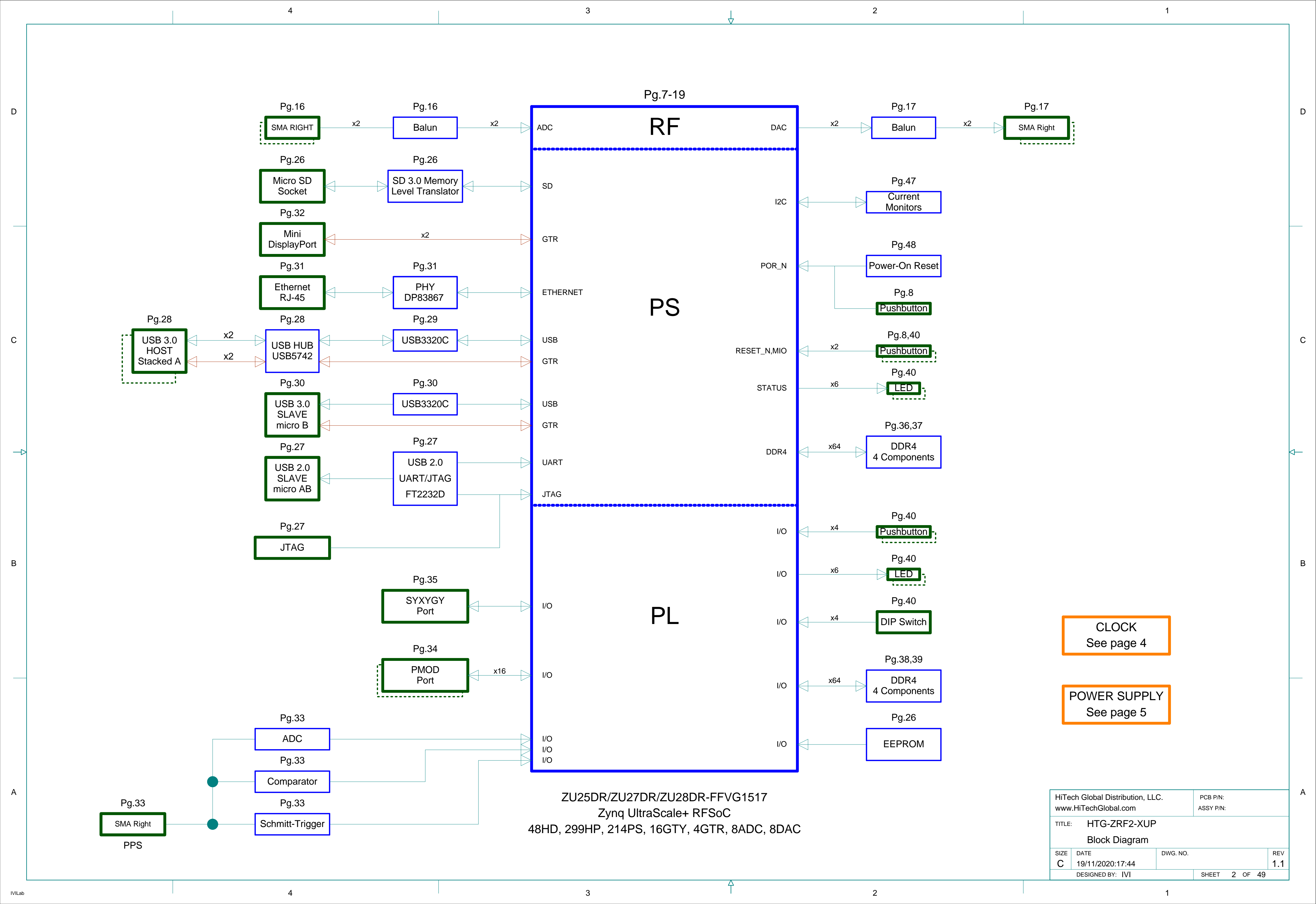
I2C address see on page 6



This document contains proprietary and confidential information owned by HiTech Global Distribution, LLC. All rights reserved. www.HiTechGlobal.com

FINAL VERSION REV. 1.1

HiTech Global Distribution, LLC. www.HiTechGlobal.com		PCB P/N: ASSY P/N:	
TITLE: HTG-ZRF2-XUP Note Page			
SIZE C	DATE 28/11/2020:23:02	DWG. NO.	REV 1.1
DESIGNED BY: IVI		SHEET 1 OF 49	



4

3

2

1

D

D

C

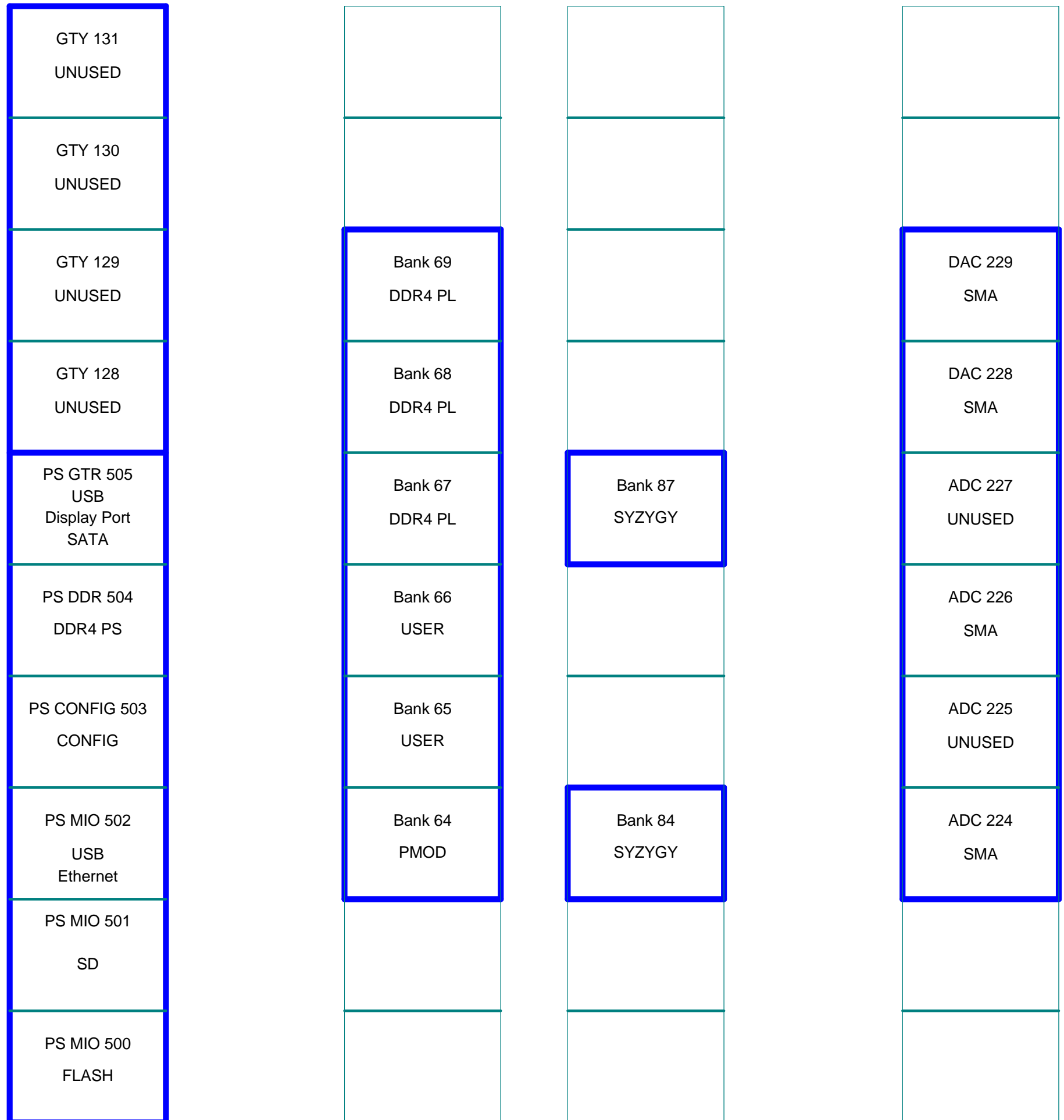
C

B

B

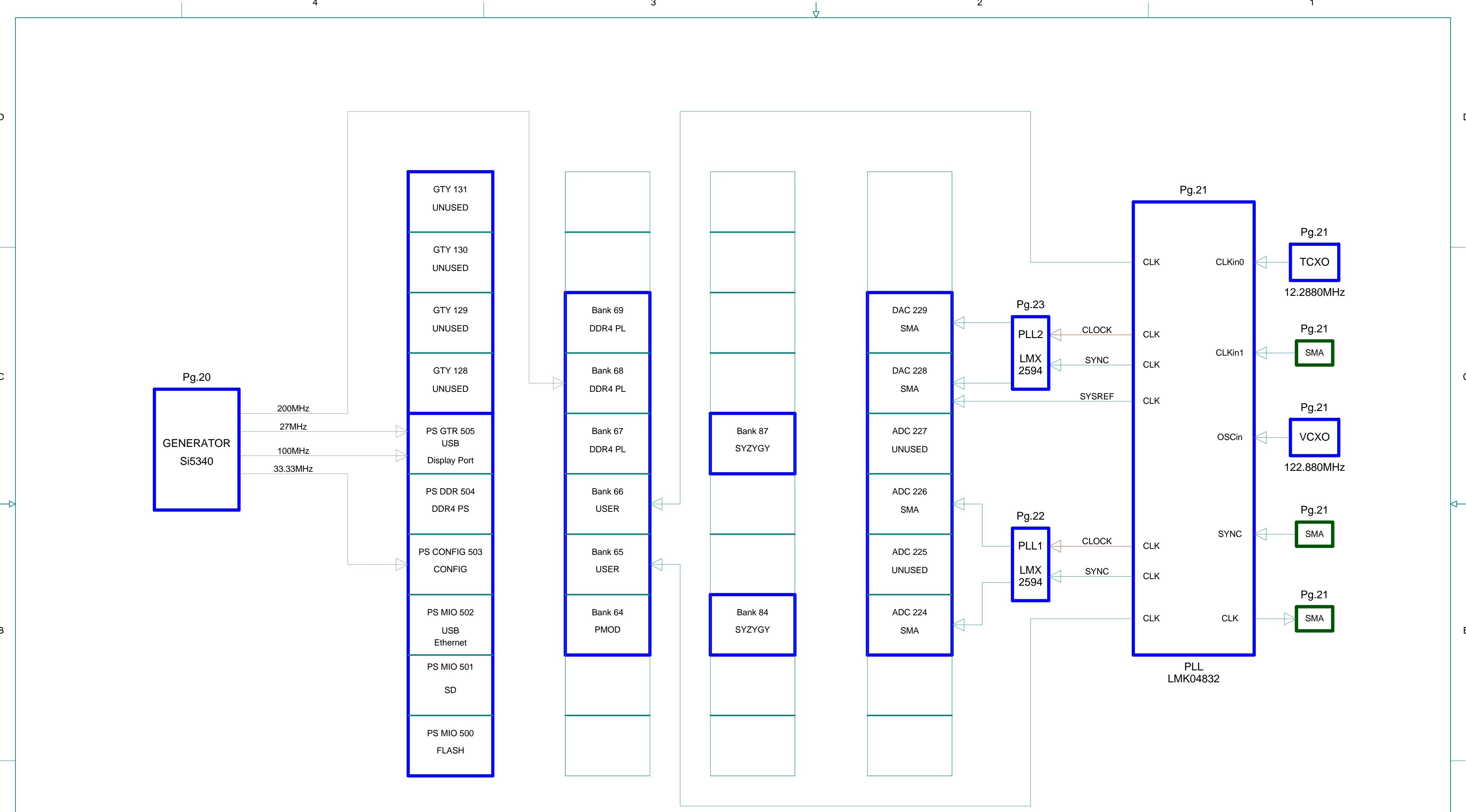
A

A



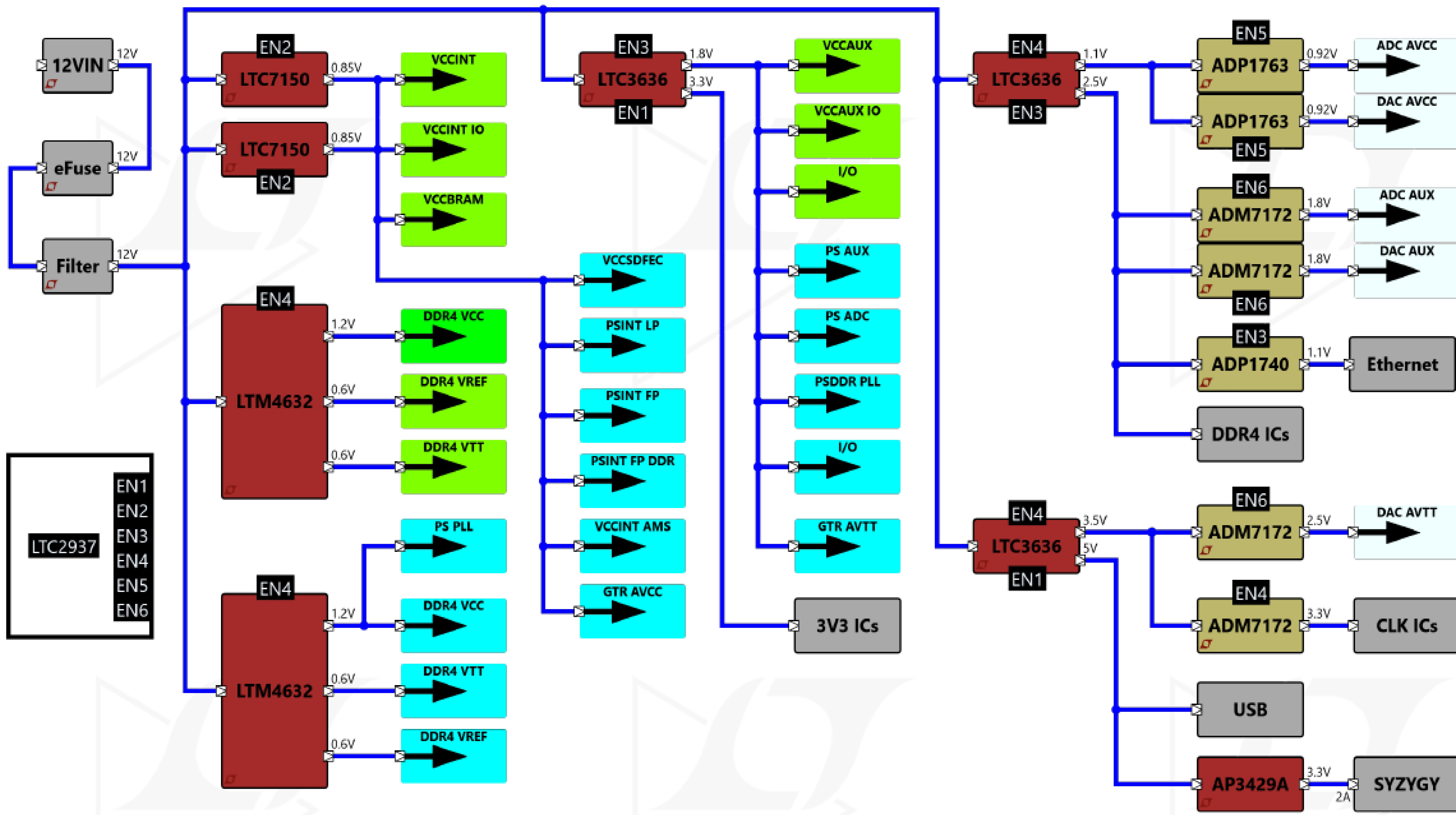
ZU25DR/ZU27DR/ZU28DR-FFVG1517
 Zynq UltraScale+ RFSoc
 48HD, 299HP, 214PS, 16GTY, 4GTR, 8ADC, 8DAC
 DIE VIEW

HiTech Global Distribution, LLC. www.HiTechGlobal.com		PCB P/N: ASSY P/N:	
TITLE: HTG-ZRF2-XUP DIE Diagram			
SIZE C	DATE 19/11/2020:17:44	DWG. NO.	REV 1.1
DESIGNED BY: IVI		SHEET 3 OF 49	



DIE VIEW
 Zynq UltraScale+ RFSoc
 ZU25DR/ZU27DR/ZU28DR-FFVG1517
 48HD, 299HP, 214PS, 16GTY, 4GTR, 8ADC, 8DAC

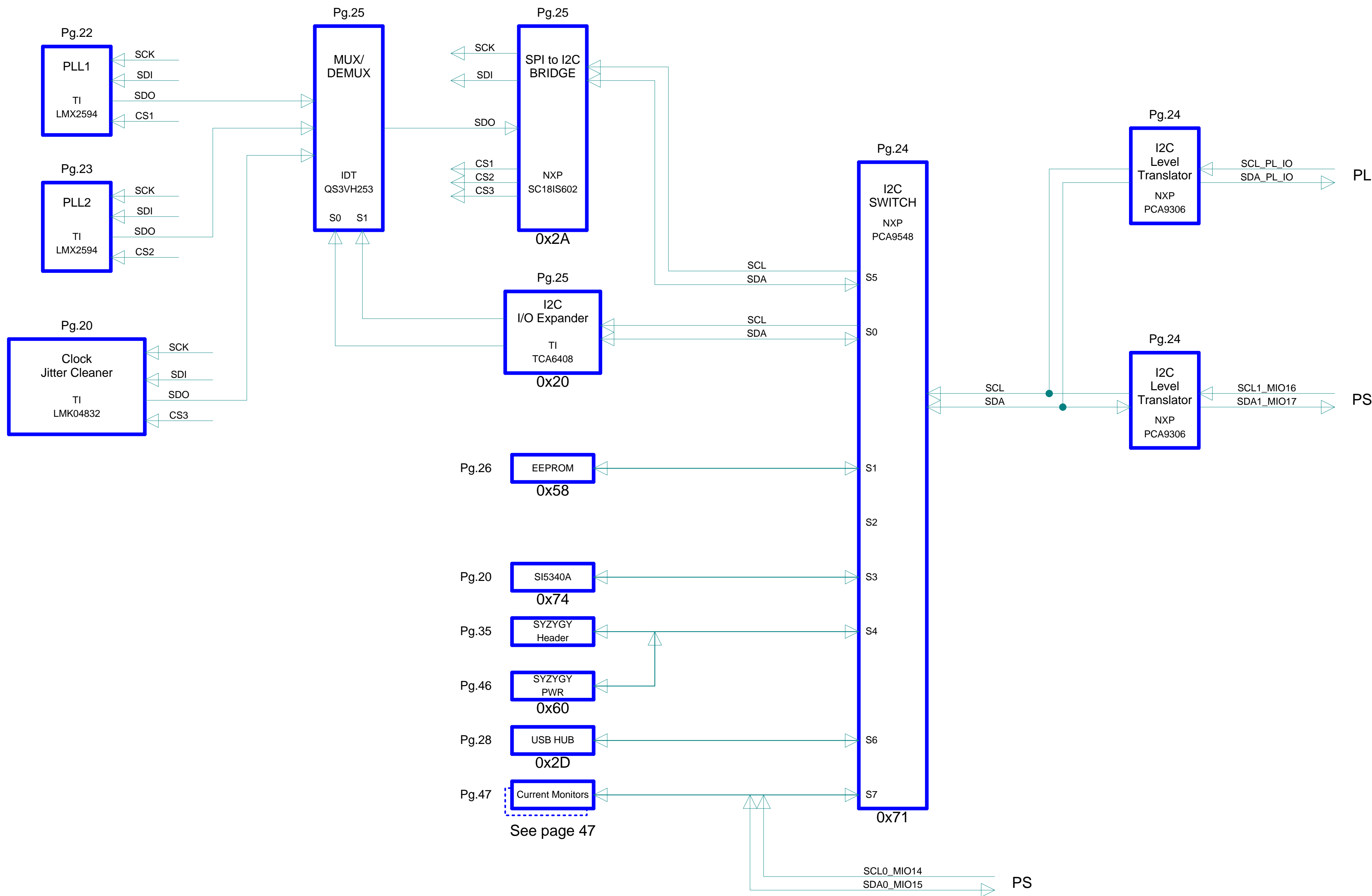
HiTech Global Distribution, LLC. www.HiTechGlobal.com		PCB P/N: ASSY P/N:	
TITLE: HTG-ZRF2-XUP Clock Diagram			
SIZE C	DATE 19/11/2020:17:44	DWG. NO.	REV 1.1
DESIGNED BY: IVI		SHEET 4 OF 49	



LTC2937

EN1
EN2
EN3
EN4
EN5
EN6

HiTech Global Distribution, LLC. www.HiTechGlobal.com		PCB P/N: ASSY P/N:	
TITLE: HTG-ZRF2-XUP Power Diagram			
SIZE C	DATE 19/11/2020:17:44	DWG. NO.	REV 1.1
DESIGNED BY: IVI		SHEET 5 OF 49	



HiTech Global Distribution, LLC. www.HiTechGlobal.com		PCB P/N: ASSY P/N:	
TITLE: HTG-ZRF2-XUP I2C and SPI Diagram RF PLL			
SIZE C	DATE 19/11/2020:17:44	DWG. NO.	REV 1.1
DESIGNED BY: IVI		SHEET 6 OF 49	

D

C

B

A

4

3

2

1

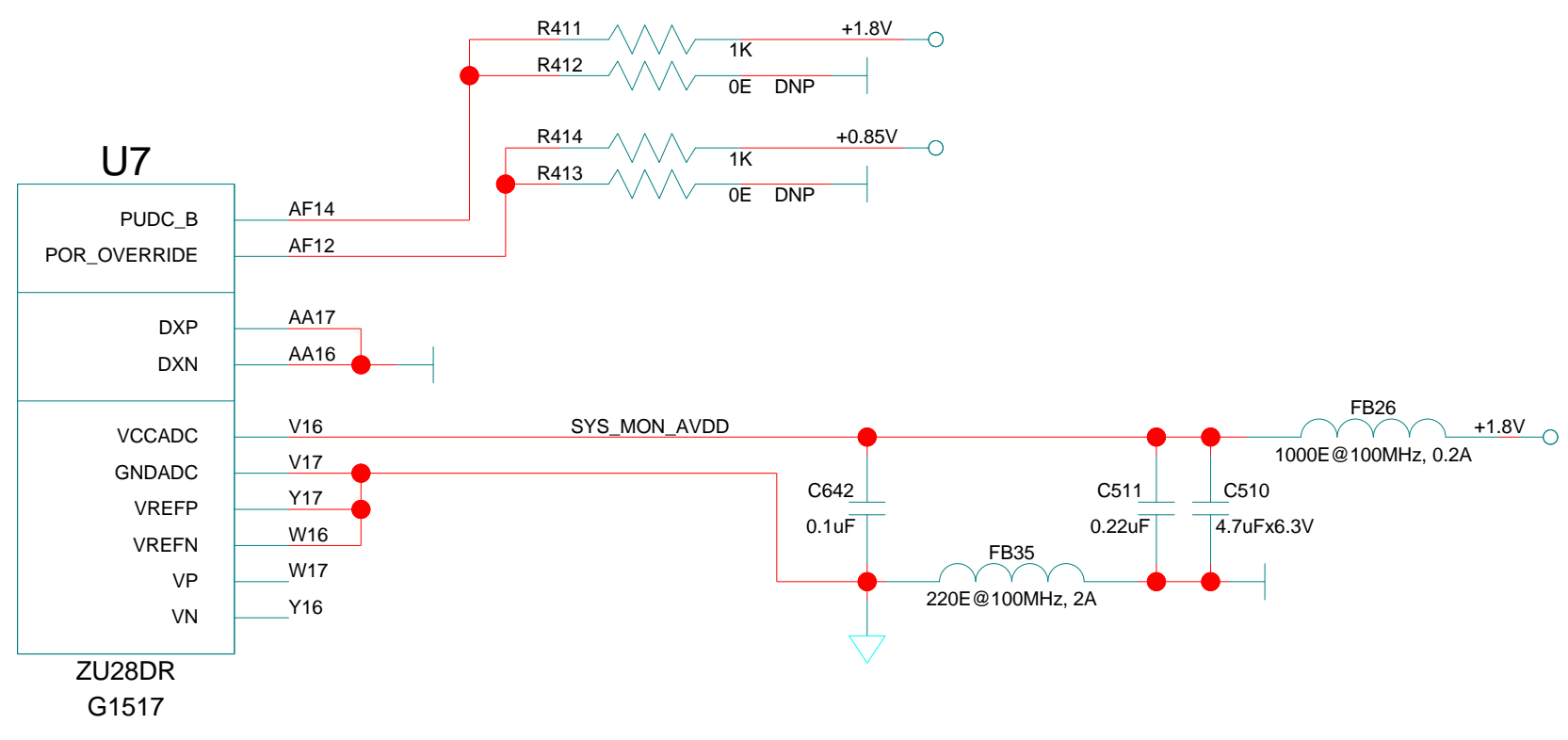
4

3

2

1

IVILab



HiTech Global Distribution, LLC. www.HiTechGlobal.com		PCB P/N: ASSY P/N:	
TITLE: HTG-ZRF2-XUP PL Config			
SIZE C	DATE 19/11/2020:17:44	DWG. NO.	REV 1.1
DESIGNED BY: IVI		SHEET 7 OF 49	

D

C

B

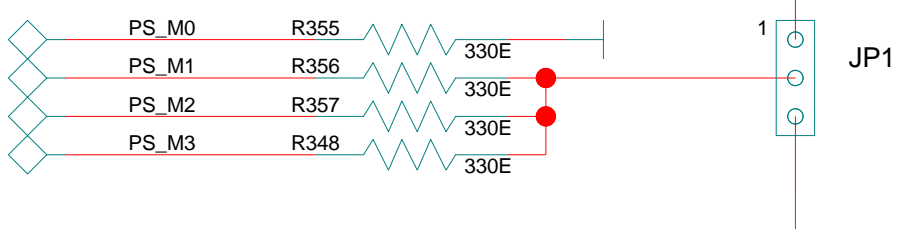
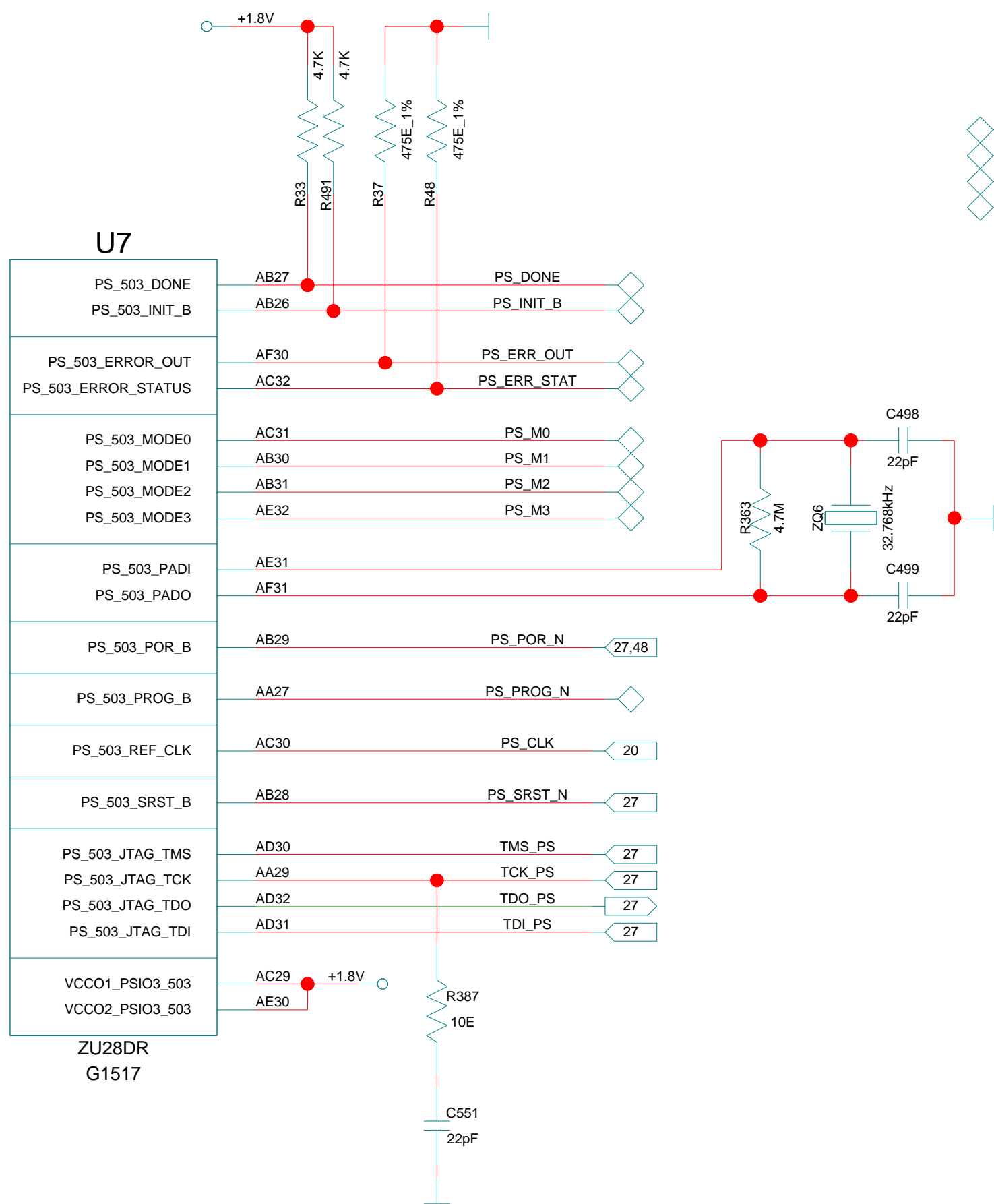
A

D

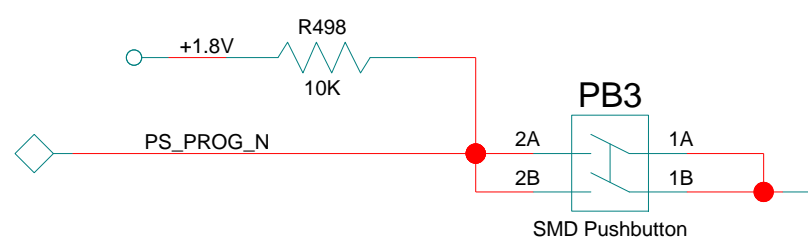
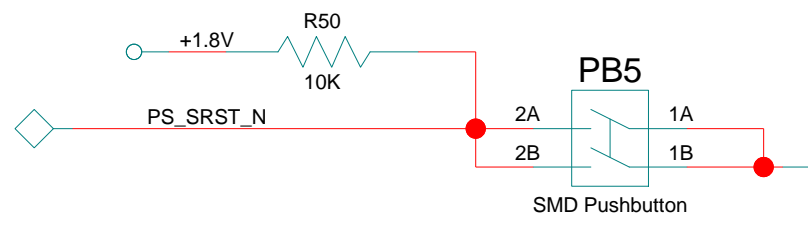
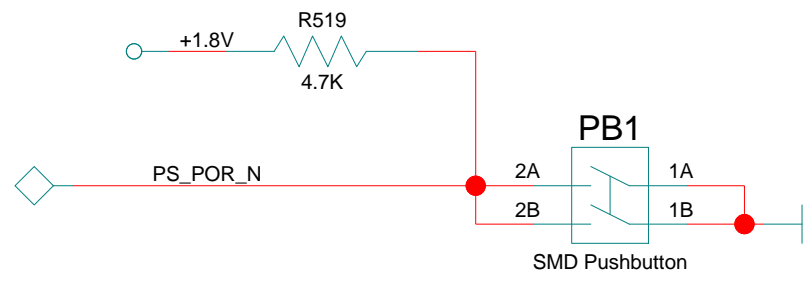
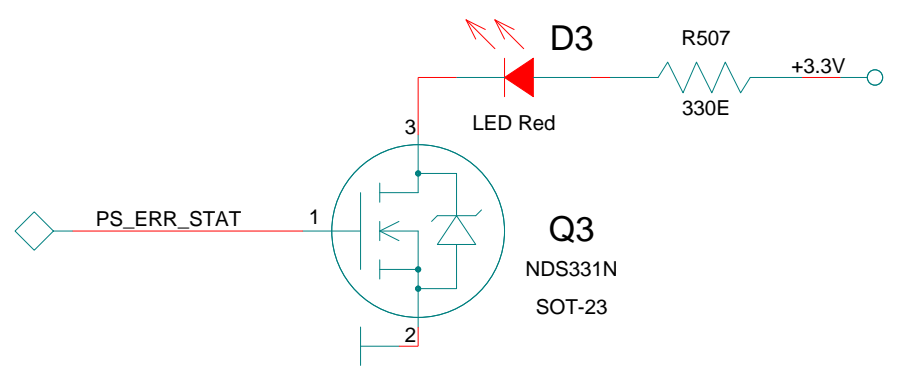
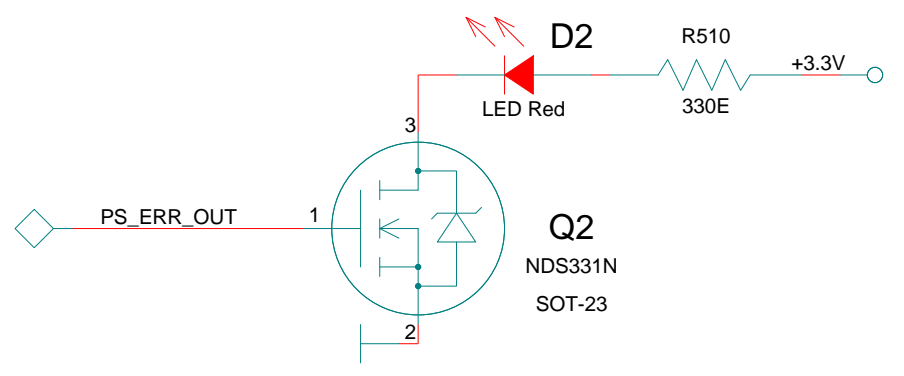
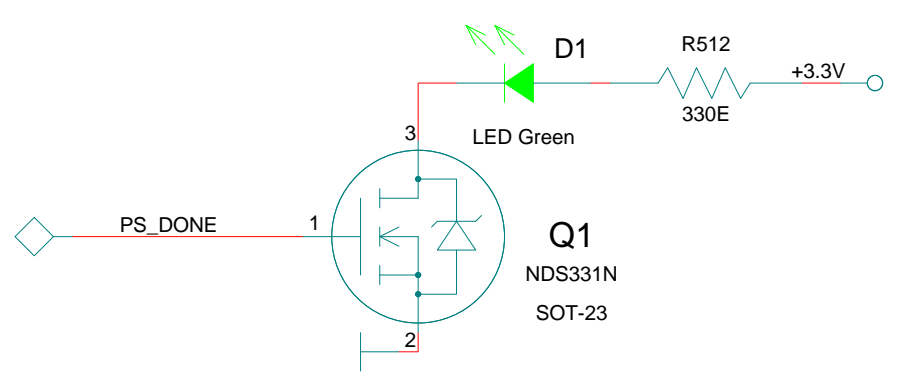
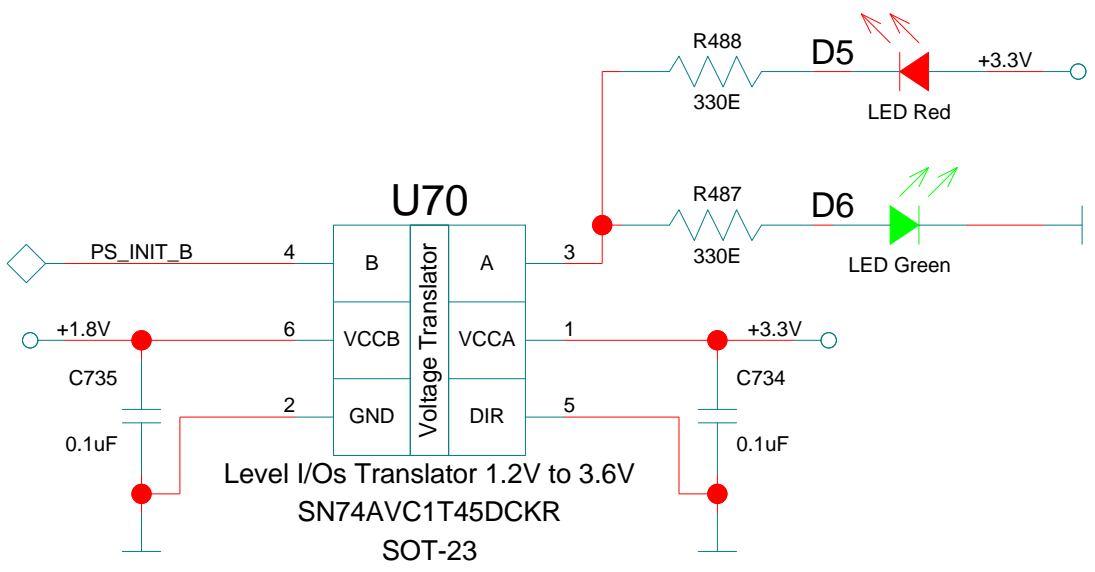
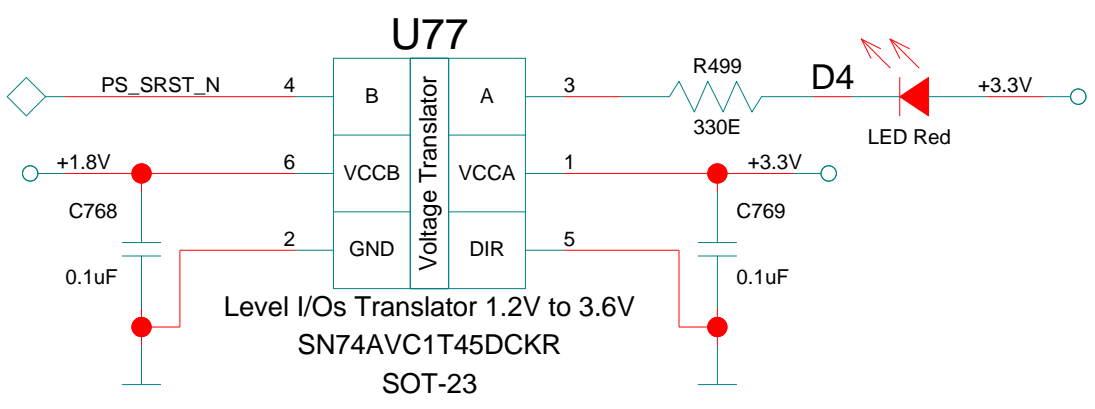
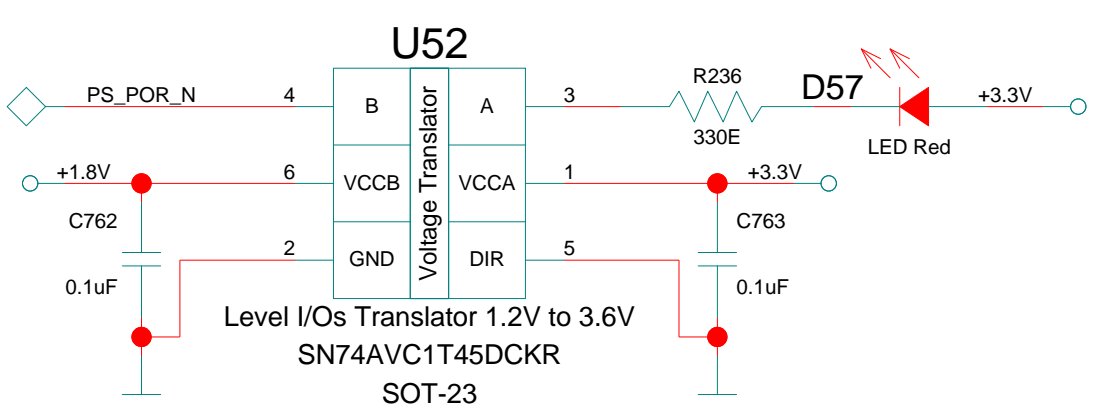
C

B

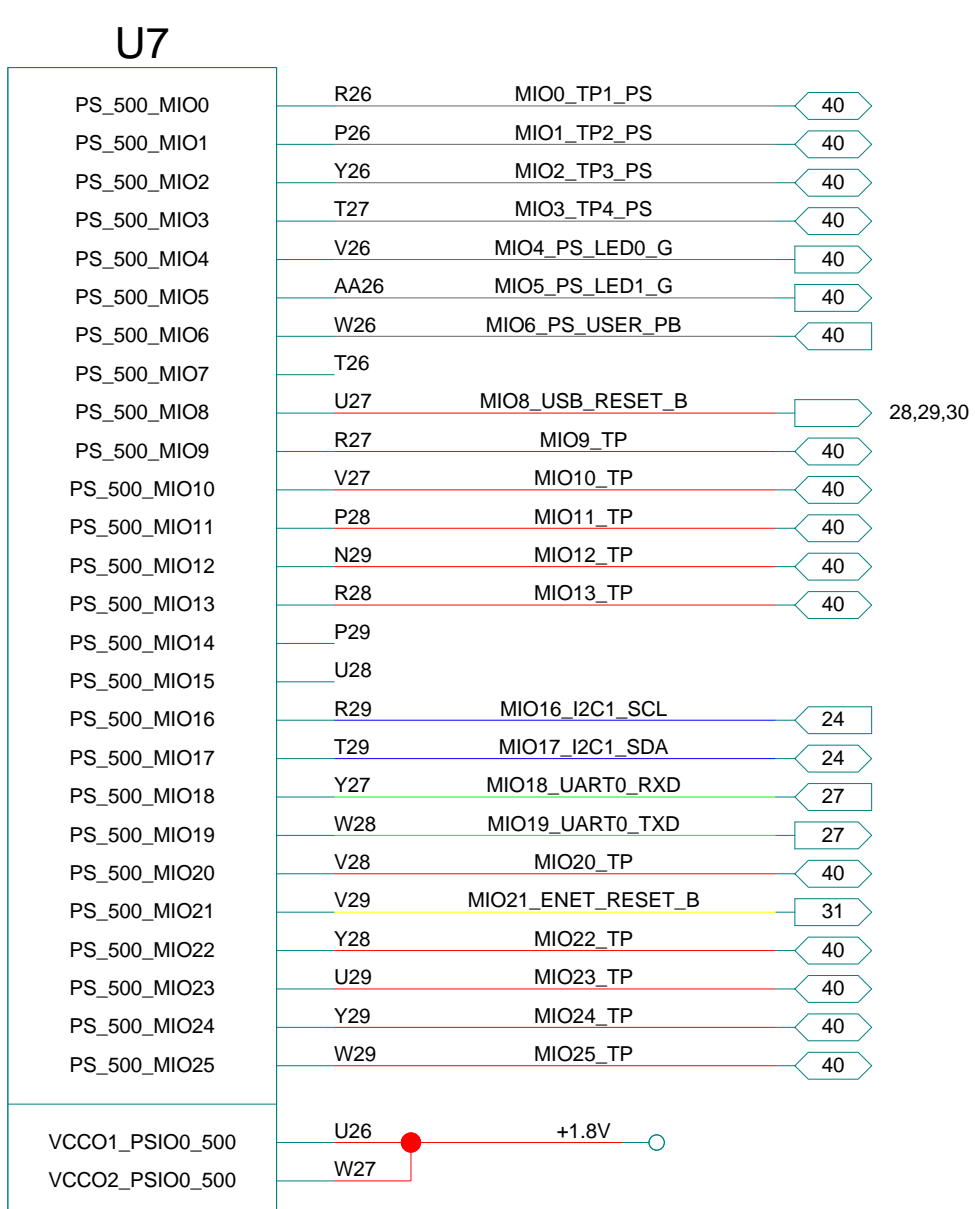
A



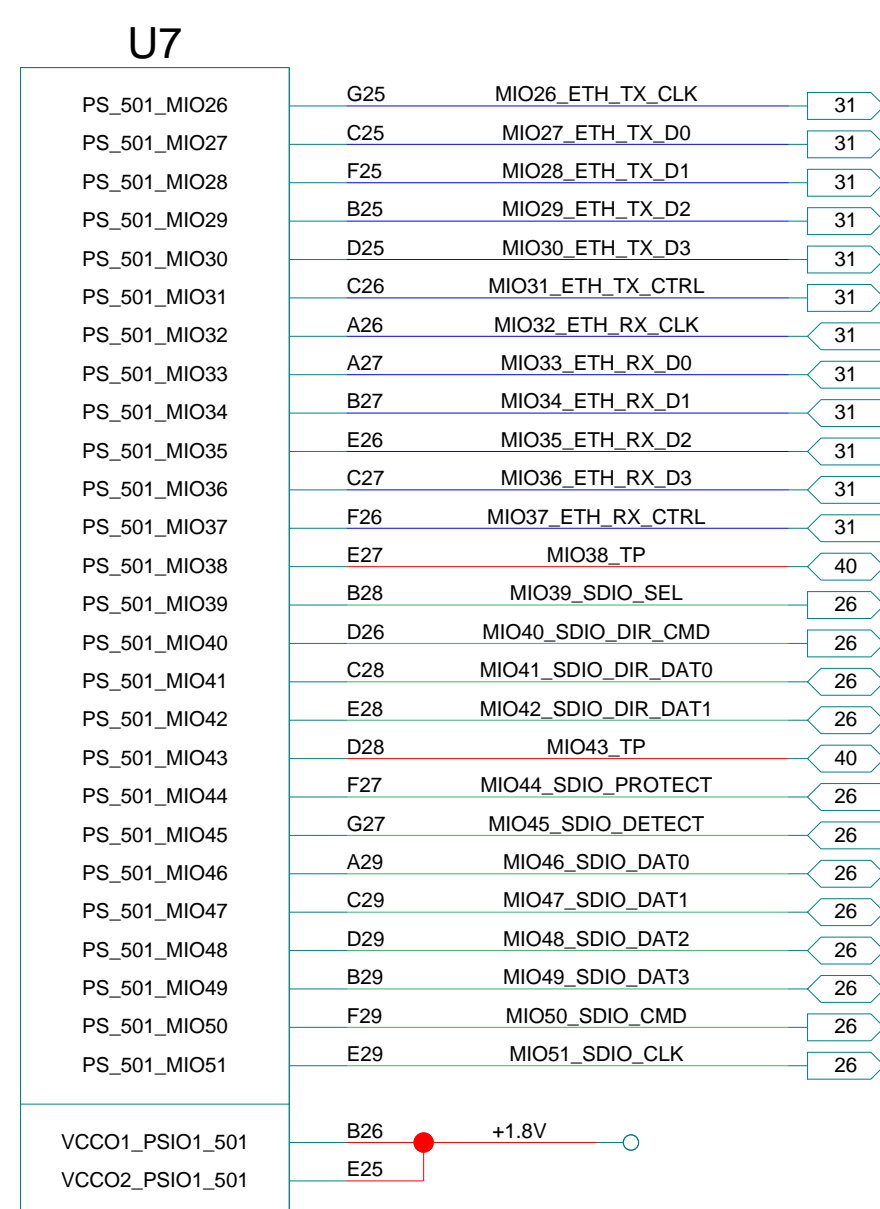
BOOT	M3	M2	M1	M0
JTAG	L	L	L	L
SD1-LS	H	H	H	L



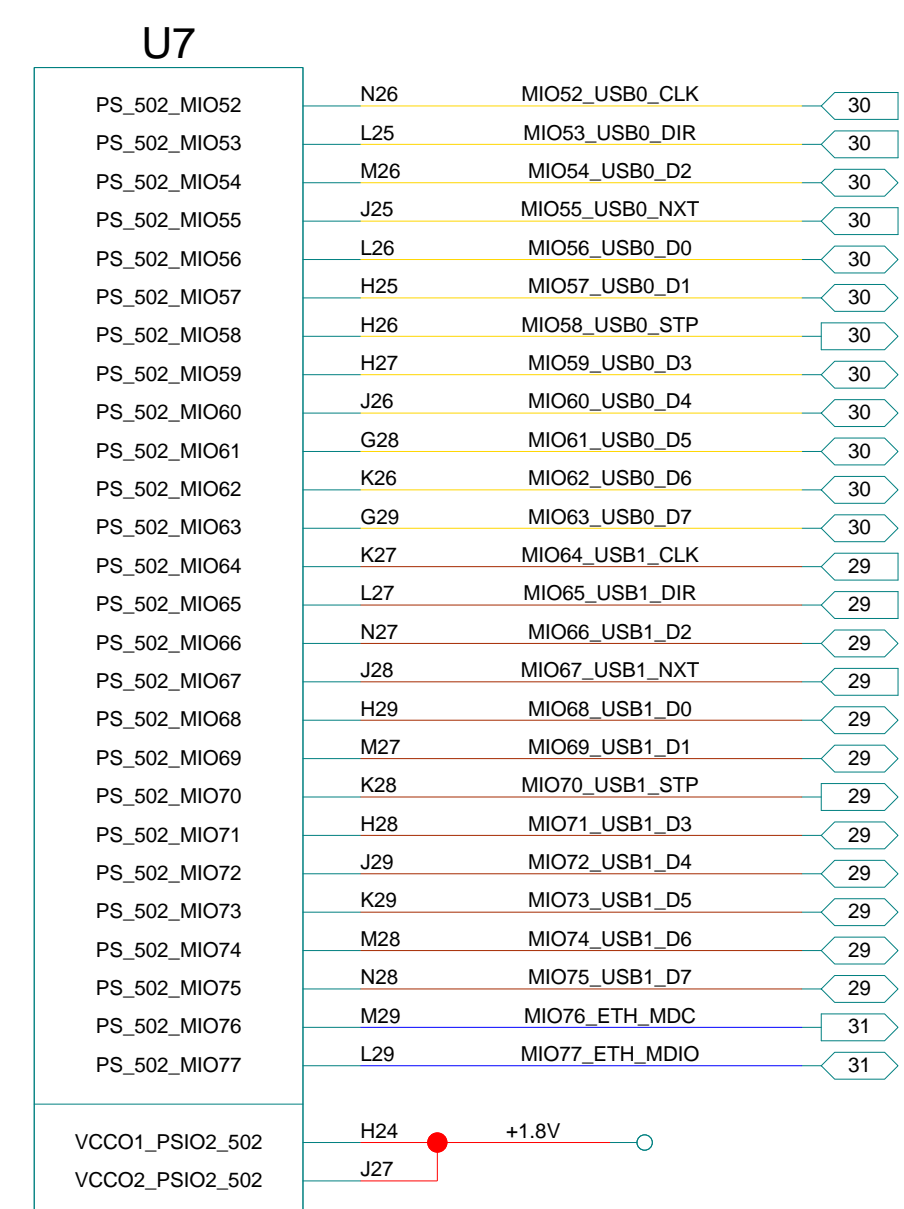
HiTech Global Distribution, LLC. www.HiTechGlobal.com		PCB P/N: ASSY P/N:	
TITLE: HTG-ZRF2-XUP PS 503 Config			
SIZE C	DATE 26/11/2020:16:51	DWG. NO.	REV 1.1
DESIGNED BY: IVI		SHEET 8 OF 49	



Zynq US+ RFSoc, 48HD, 299HP, 214PS, 16GTy, 4GTR, 8ADC, 8DAC
ZU28DR
G1517



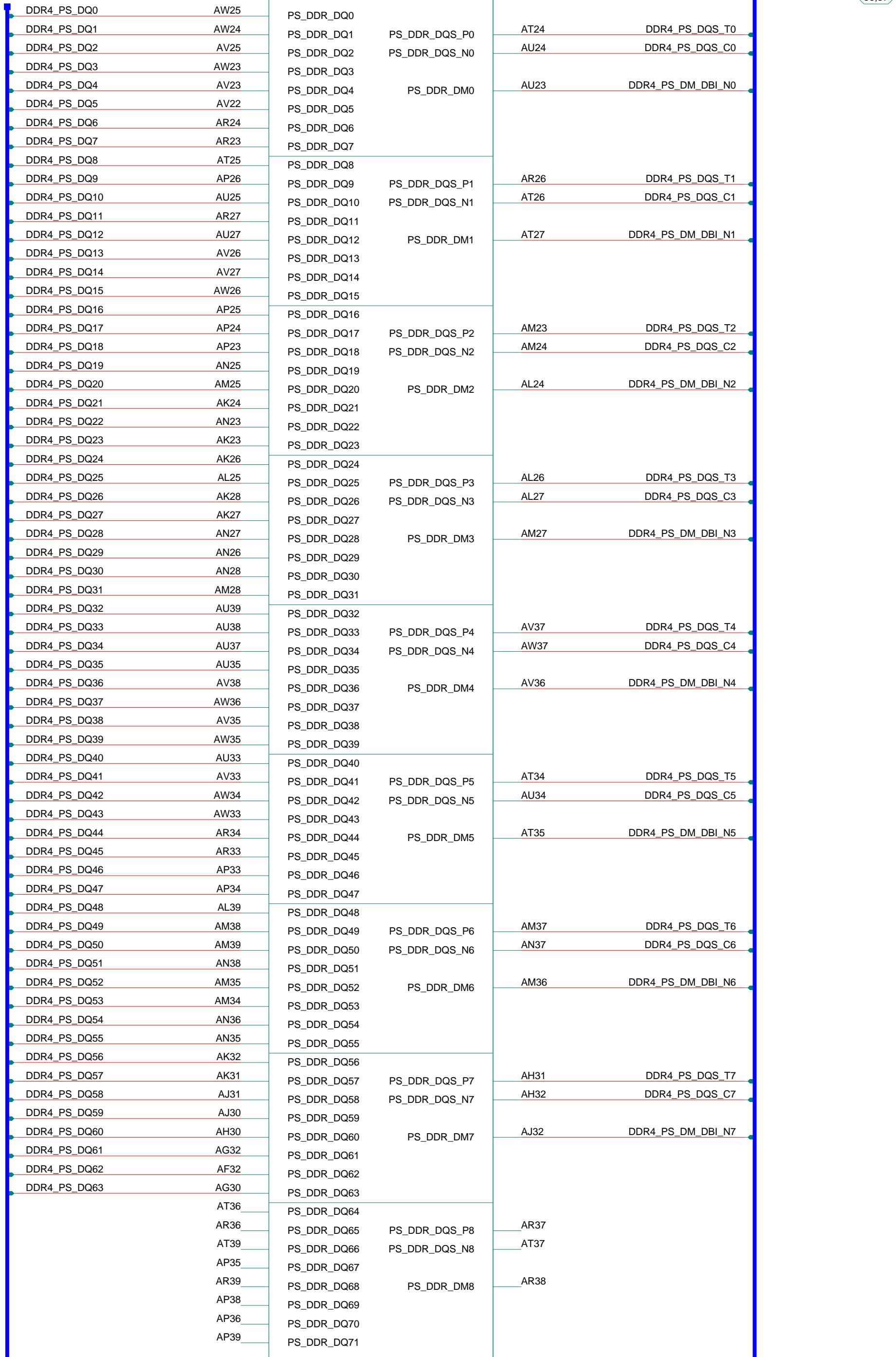
Zynq US+ RFSoc, 48HD, 299HP, 214PS, 16GTy, 4GTR, 8ADC, 8DAC
ZU28DR
G1517



Zynq US+ RFSoc, 48HD, 299HP, 214PS, 16GTy, 4GTR, 8ADC, 8DAC
ZU28DR
G1517

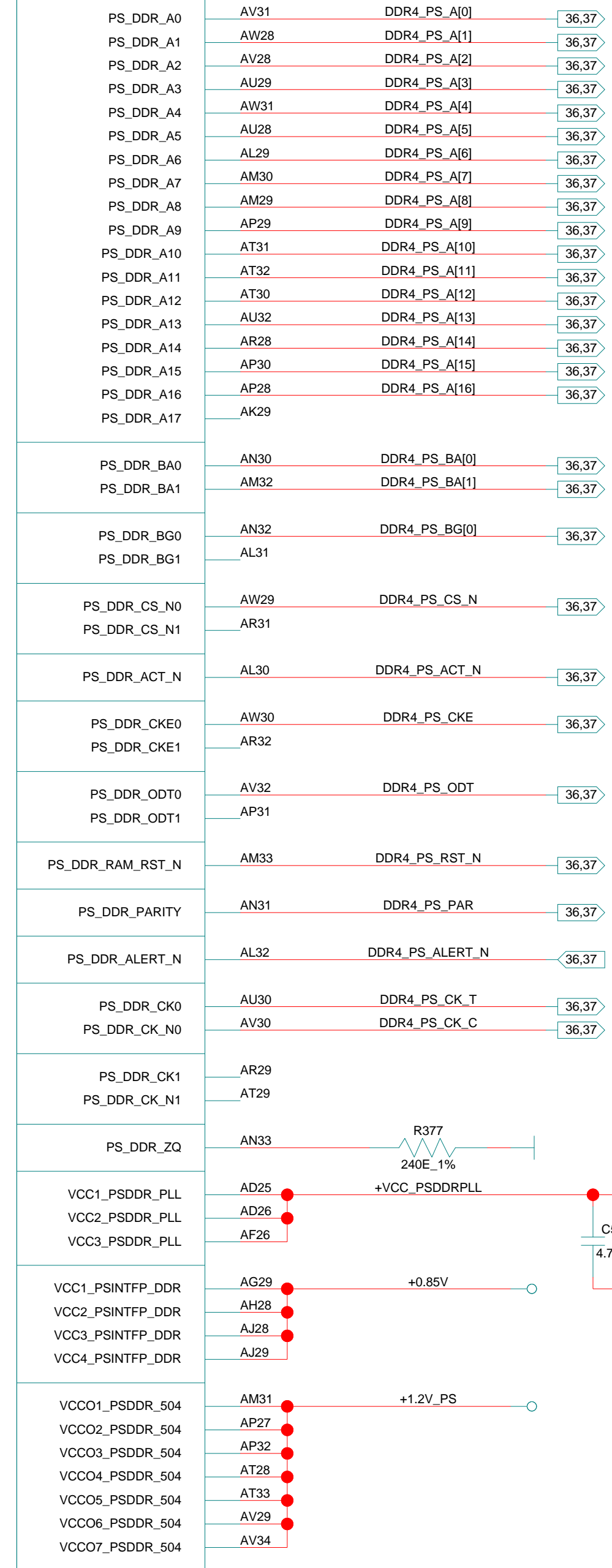
HiTech Global Distribution, LLC. www.HiTechGlobal.com		PCB P/N: ASSY P/N:	
TITLE: HTG-ZRF2-XUP PS 500-502			
SIZE C	DATE 19/11/2020:17:44	DWG. NO.	REV 1.1
DESIGNED BY: IVI		SHEET 9 OF 49	

U7

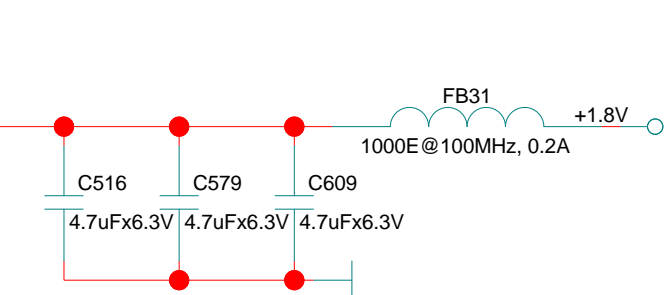


Zynq US+ RFSoc, 48HD, 299HP, 214PS, 16GTy, 4GTR, 8ADC, 8DAC
 ZU28DR
 G1517

U7



Zynq US+ RFSoc, 48HD, 299HP, 214PS, 16GTy, 4GTR, 8ADC, 8DAC
 ZU28DR
 G1517



HiTech Global Distribution, LLC. www.HiTechGlobal.com		PCB P/N: ASSY P/N:	
TITLE: HTG-ZRF2-XUP PS 504 DDR4			
SIZE C	DATE 19/11/2020:17:44	DWG. NO.	REV 1.1
DESIGNED BY: IVI		SHEET 10 OF 49	

D

D

C

C

B

B

A

A

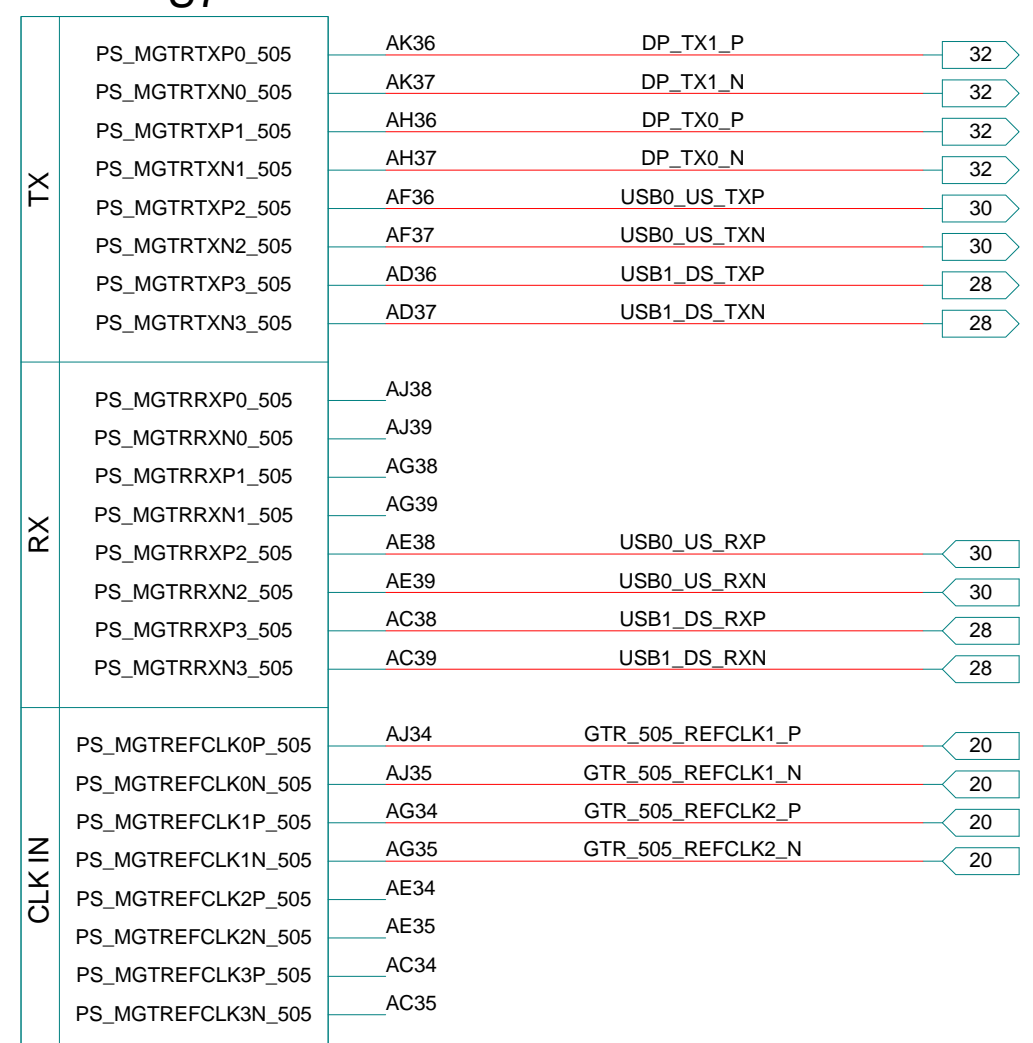
4

3

2

1

U7



Zynq US+ RFSoc, 48HD, 299HP, 214PS, 16GTY, 4GTR, 8ADC, 8DAC
 ZU28DR
 G1517

HiTech Global Distribution, LLC. www.HiTechGlobal.com		PCB P/N: ASSY P/N:	
TITLE: HTG-ZRF2-XUP PS GTR			
SIZE C	DATE 19/11/2020:17:44	DWG. NO.	REV 1.1
DESIGNED BY: IVI		SHEET 11 OF 49	

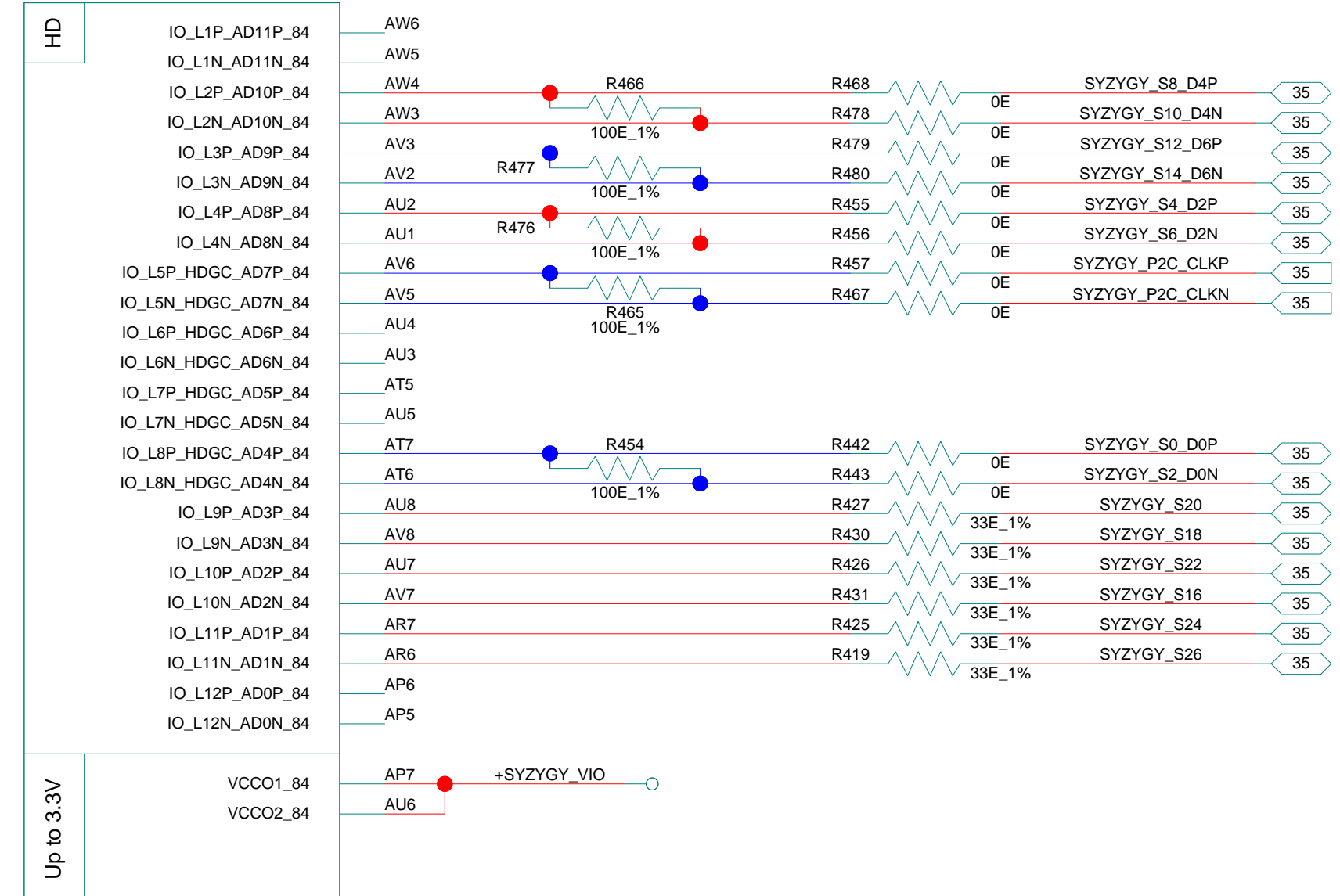
4

3

2

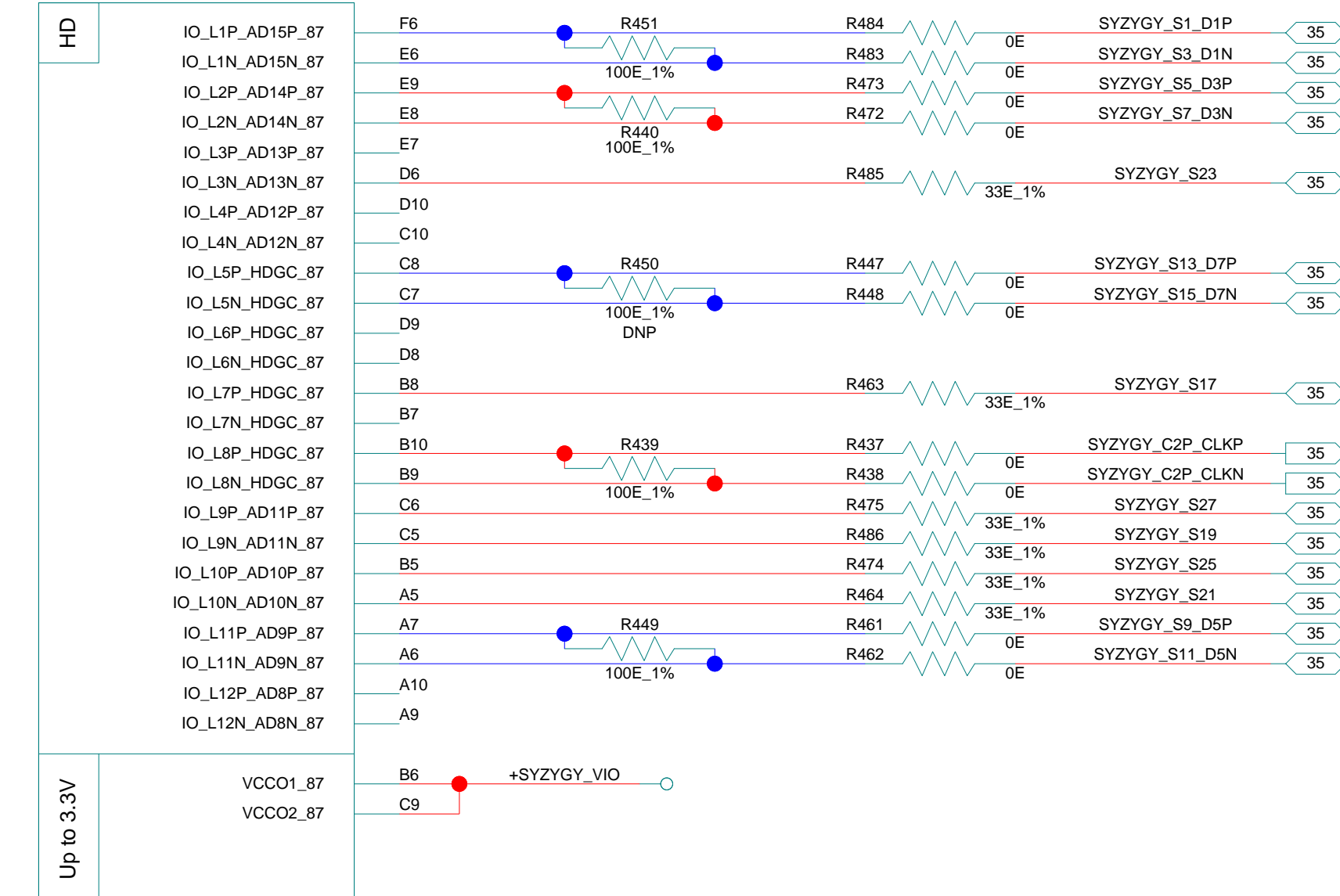
1

U7



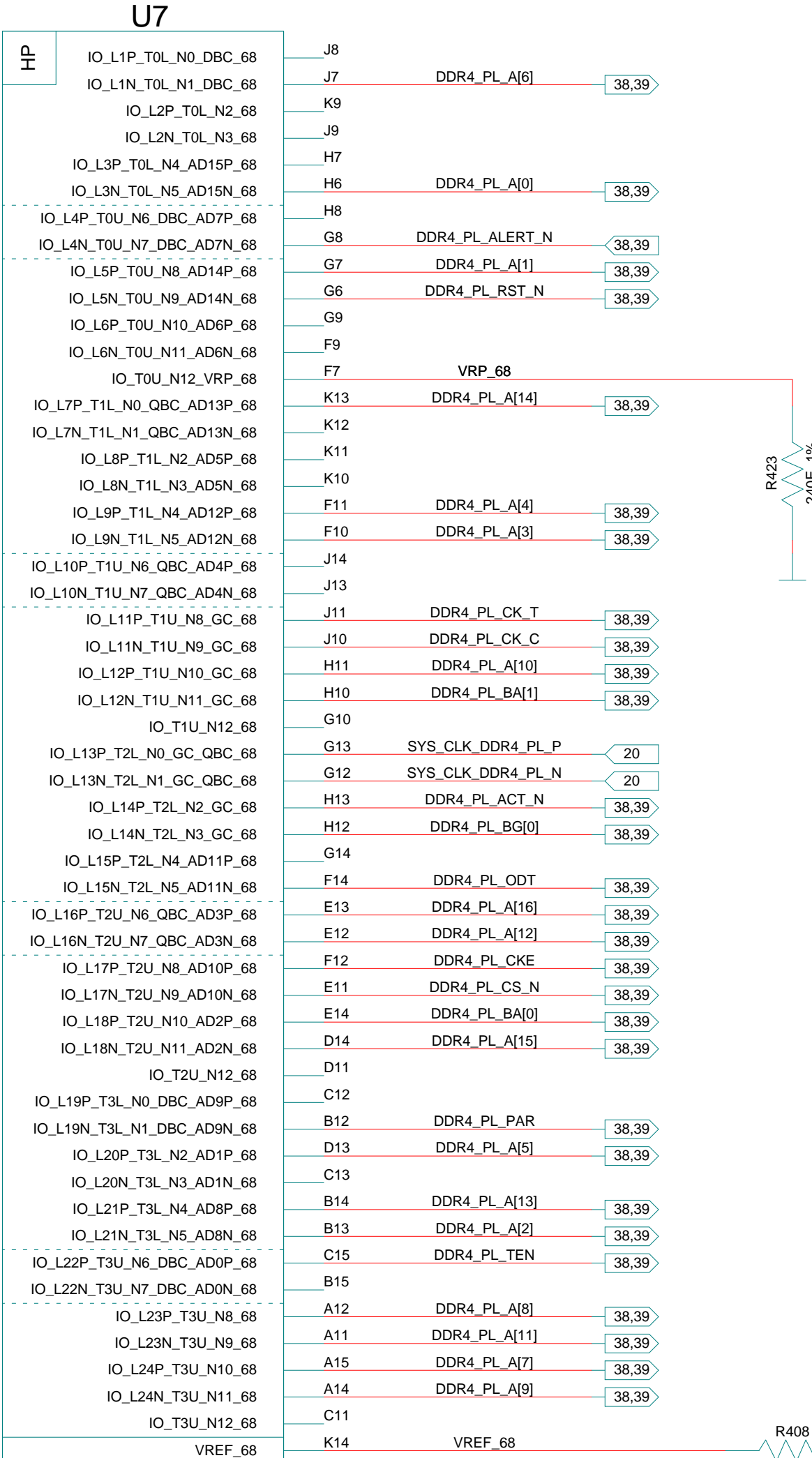
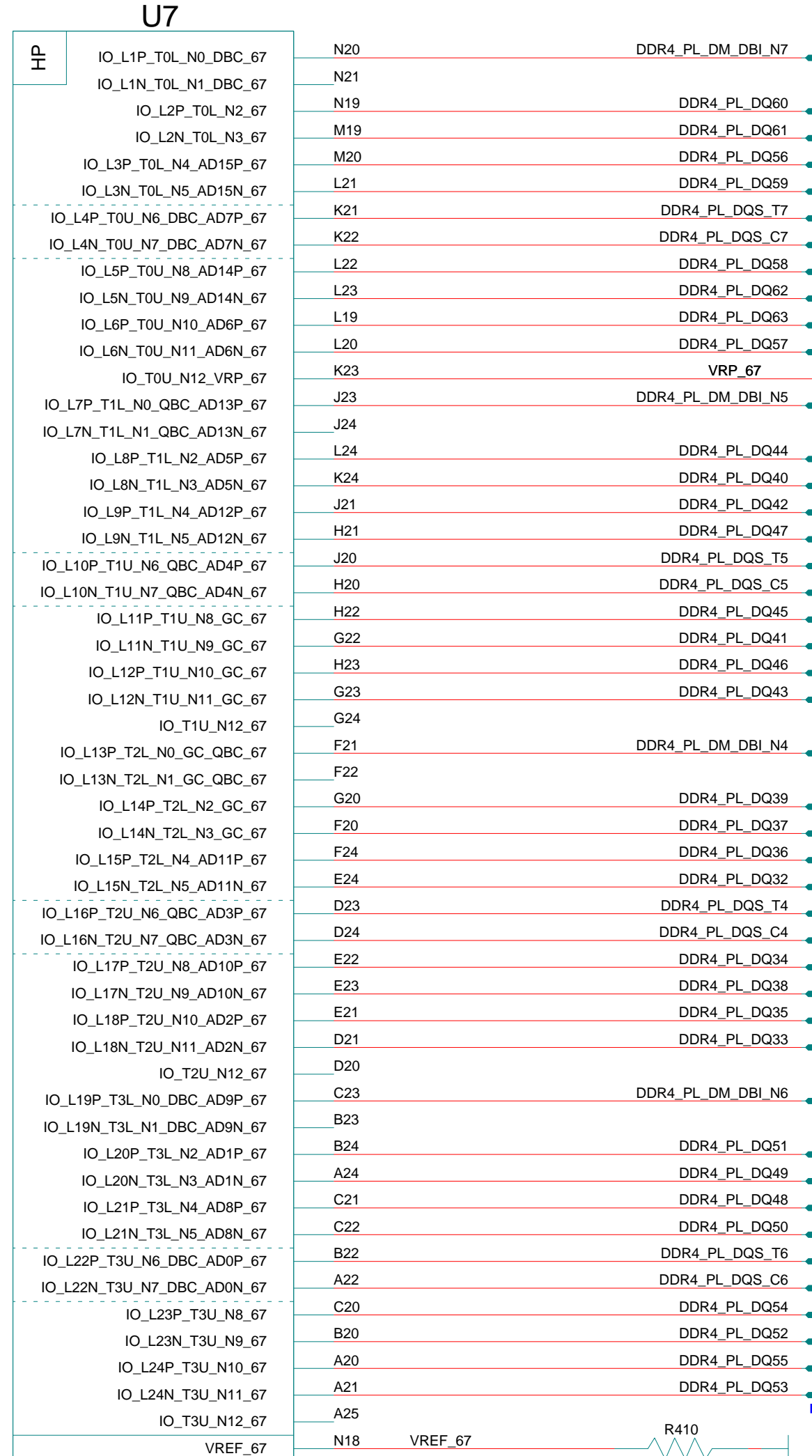
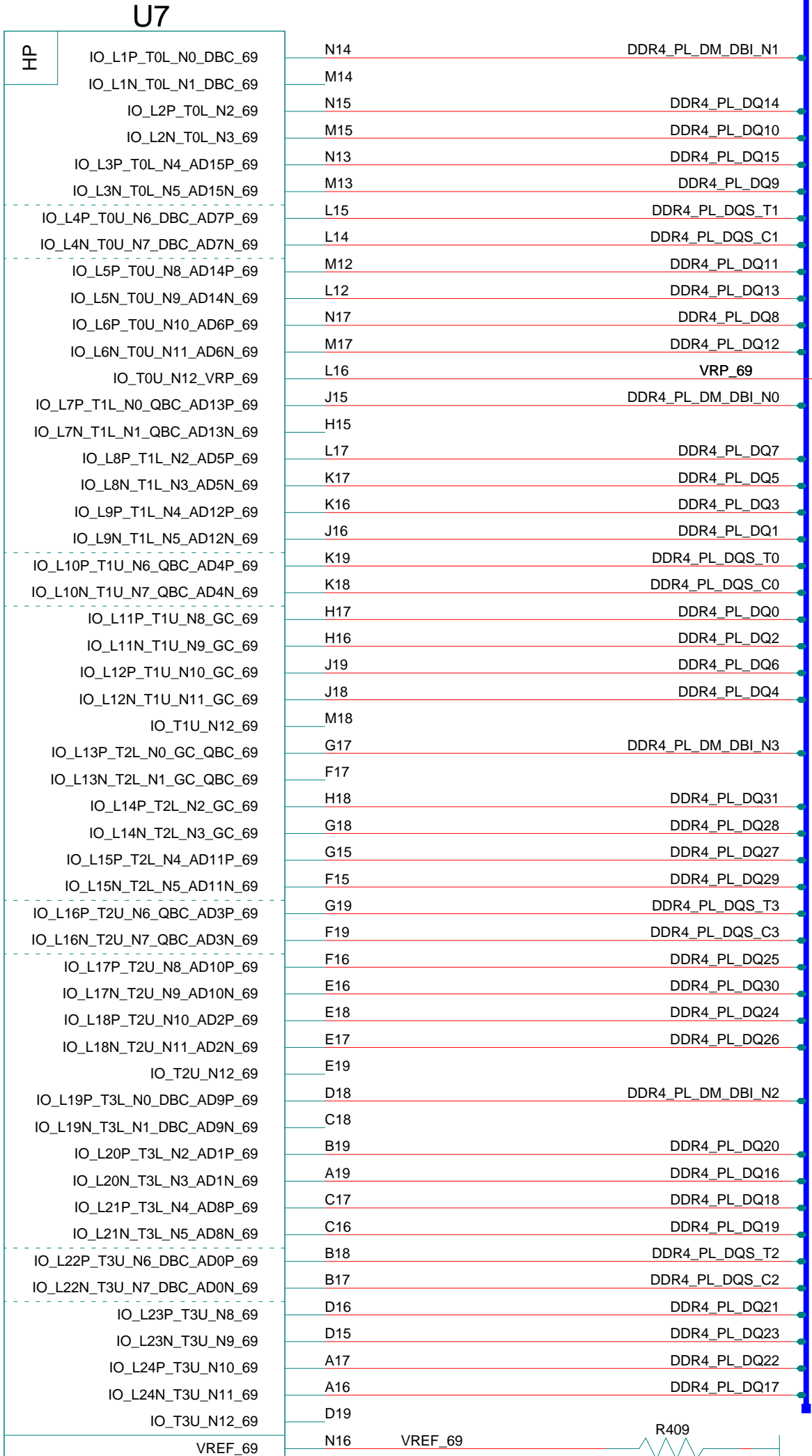
Zynq US+ RFSoc, 48HD, 299HP, 214PS, 16GTY, 4GTR, 8ADC, 8DAC
ZU28DR
G1517

U7



Zynq US+ RFSoc, 48HD, 299HP, 214PS, 16GTY, 4GTR, 8ADC, 8DAC
ZU28DR
G1517

HiTech Global Distribution, LLC. www.HiTechGlobal.com		PCB P/N: ASSY P/N:	
TITLE: HTG-ZRF2-XUP PL 84 and 87 SYZYGY			
SIZE C	DATE 19/11/2020:17:44	DWG. NO.	REV 1.1
DESIGNED BY: IVI		SHEET 12 OF 49	

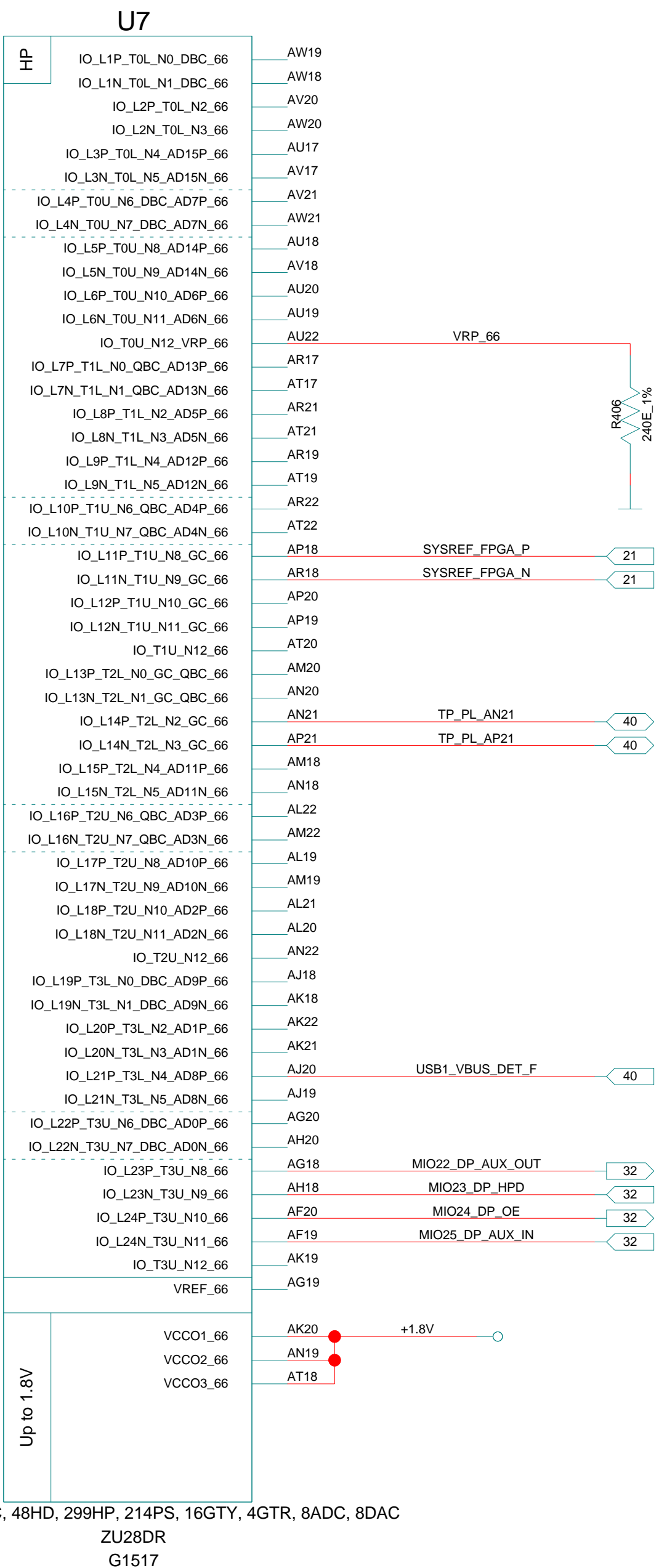


Zynq US+ RFSoc, 48HD, 299HP, 214PS, 16GTy, 4GTR, 8ADC, 8DAC
ZU28DR
G1517

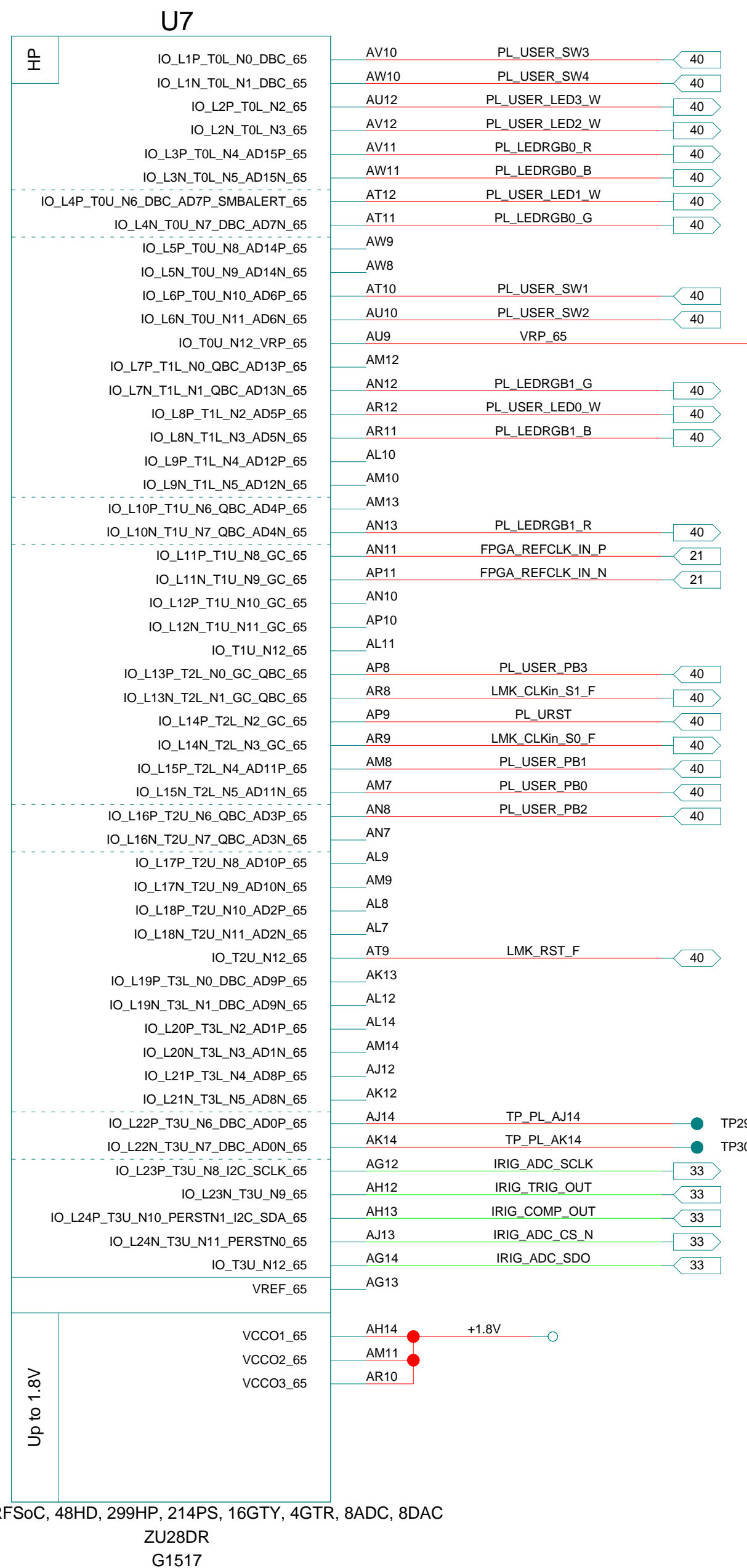
Zynq US+ RFSoc, 48HD, 299HP, 214PS, 16GTy, 4GTR, 8ADC, 8DAC
ZU28DR
G1517

Zynq US+ RFSoc, 48HD, 299HP, 214PS, 16GTy, 4GTR, 8ADC, 8DAC
ZU28DR
G1517

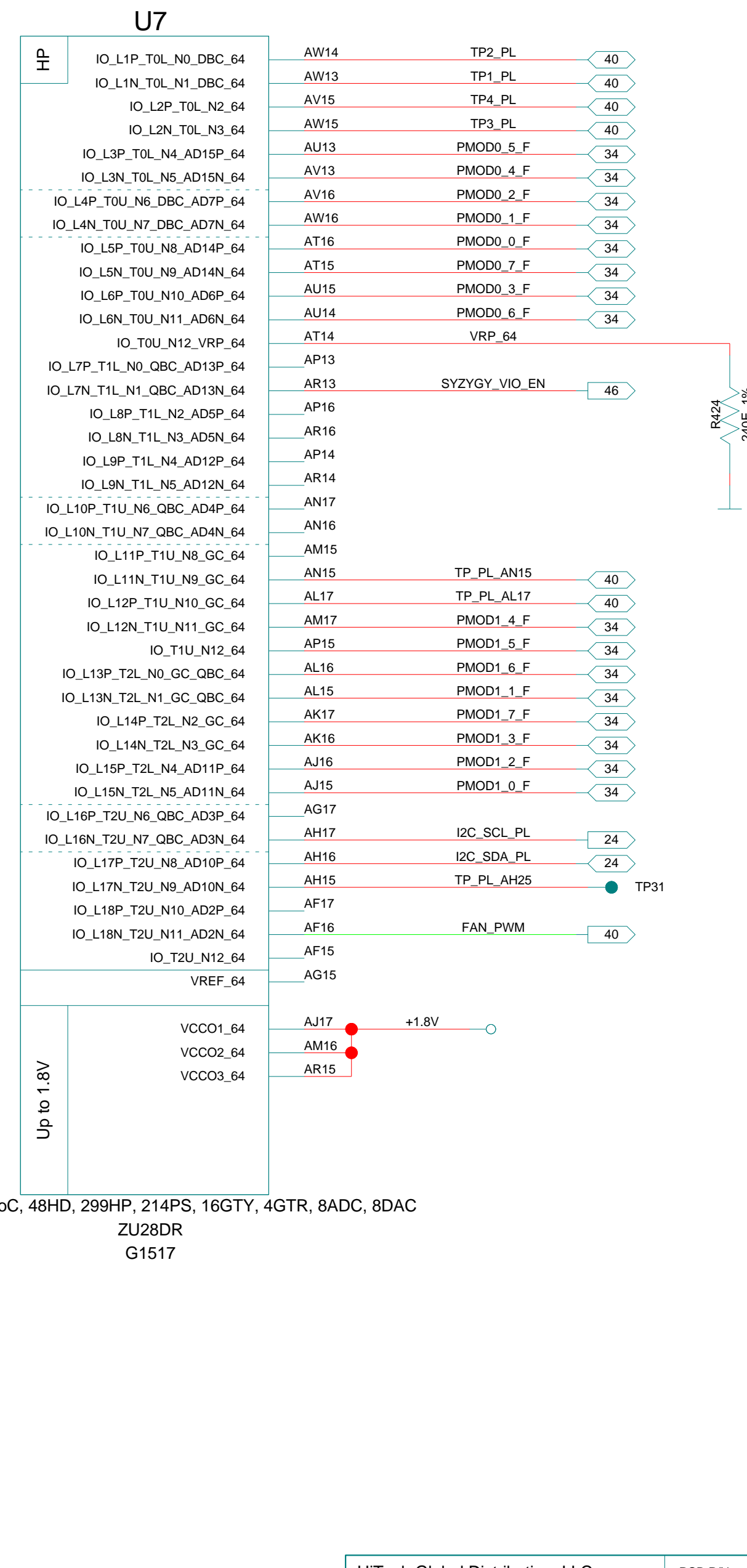
HiTech Global Distribution, LLC. www.HiTechGlobal.com		PCB P/N: ASSY P/N:	
TITLE: HTG-ZRF2-XUP PL 67-69 DDR4			
SIZE C	DATE 19/11/2020:17:44	DWG. NO.	REV 1.1
DESIGNED BY: IVI		SHEET 13 OF 49	



Zynq US+ RFSoc, 48HD, 299HP, 214PS, 16GTy, 4GTR, 8ADC, 8DAC
 ZU28DR
 G1517

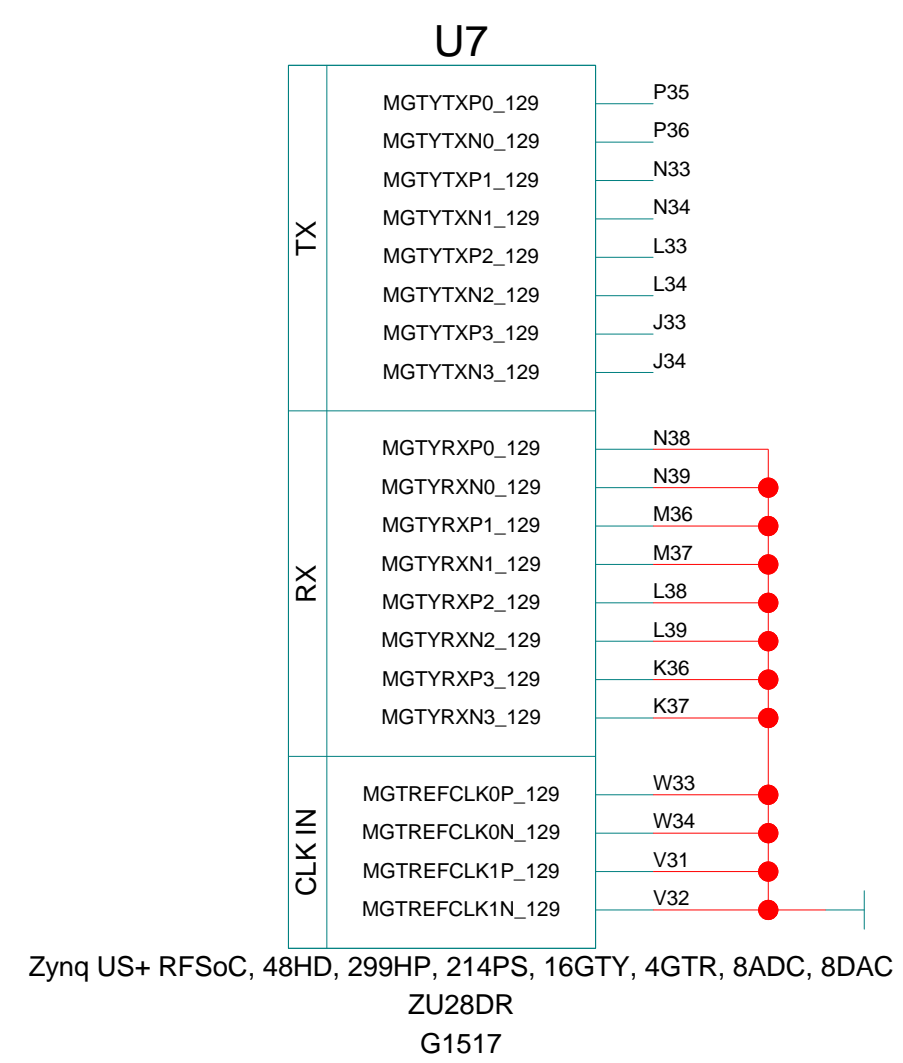
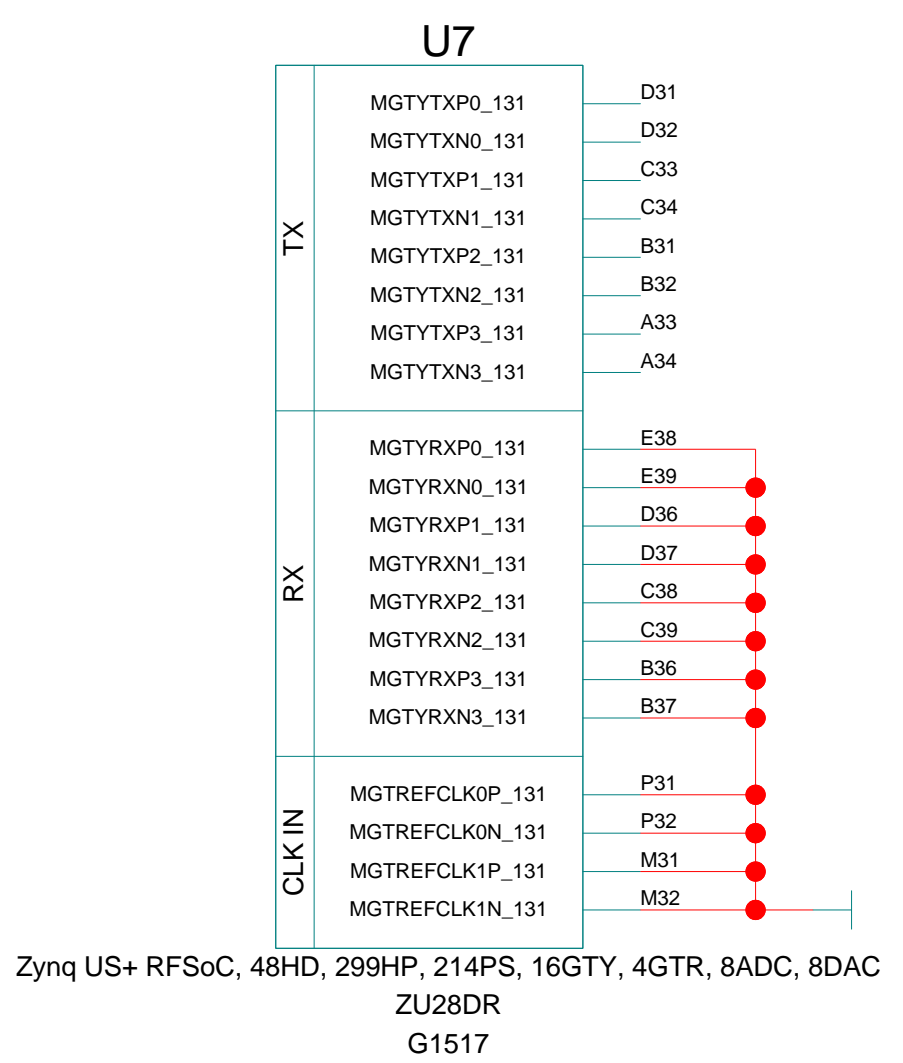
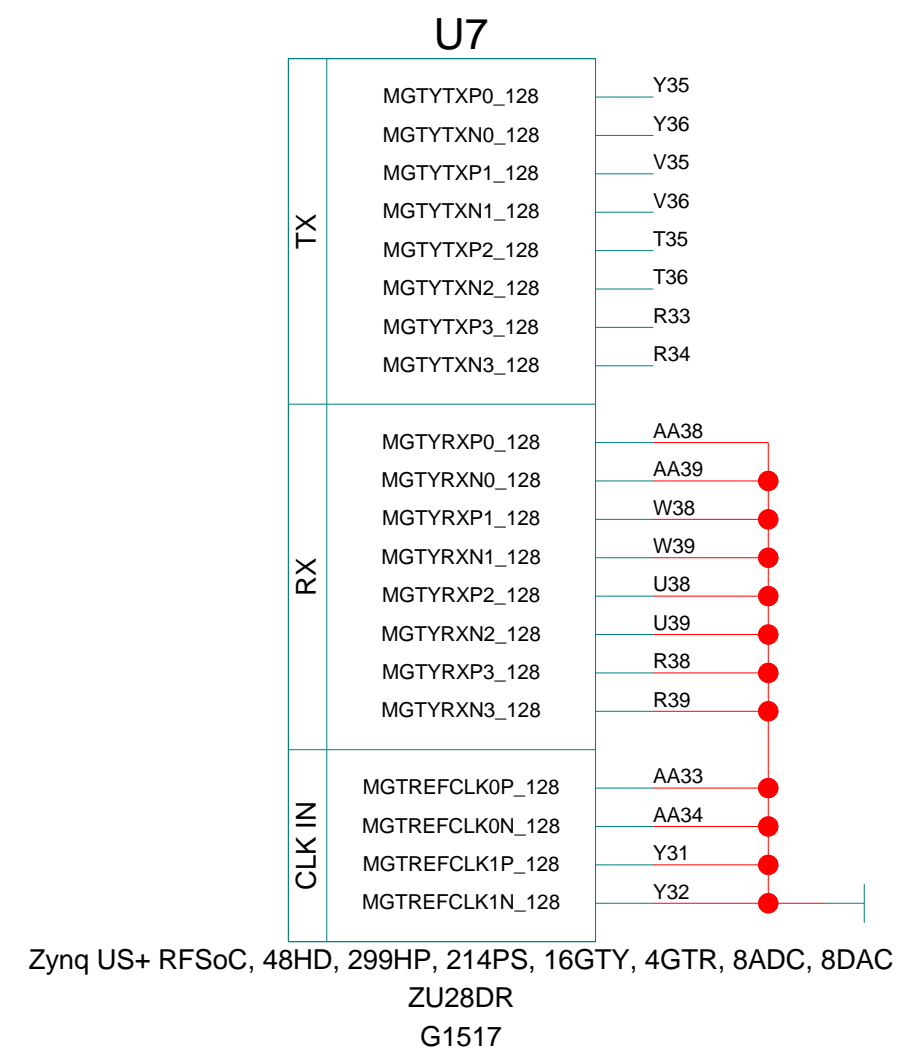
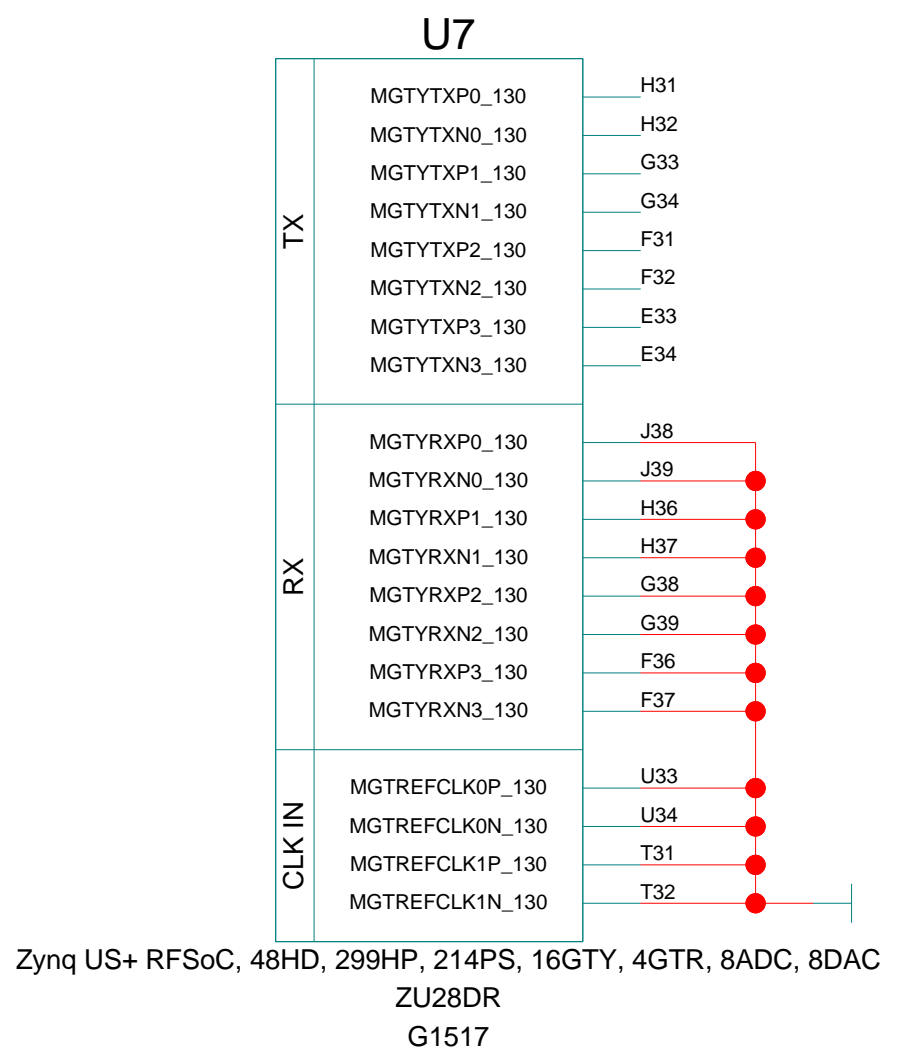


Zynq US+ RFSoc, 48HD, 299HP, 214PS, 16GTy, 4GTR, 8ADC, 8DAC
 ZU28DR
 G1517

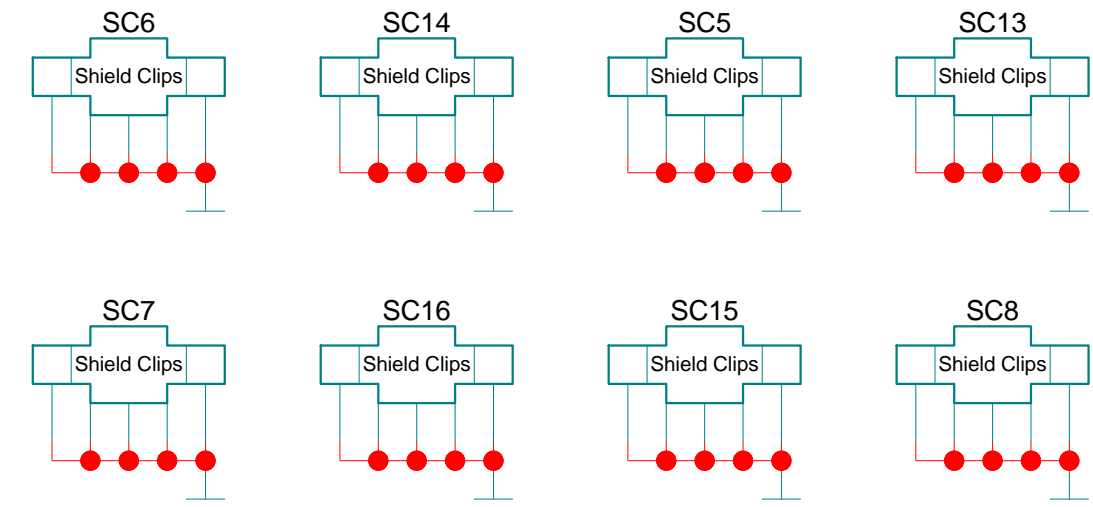
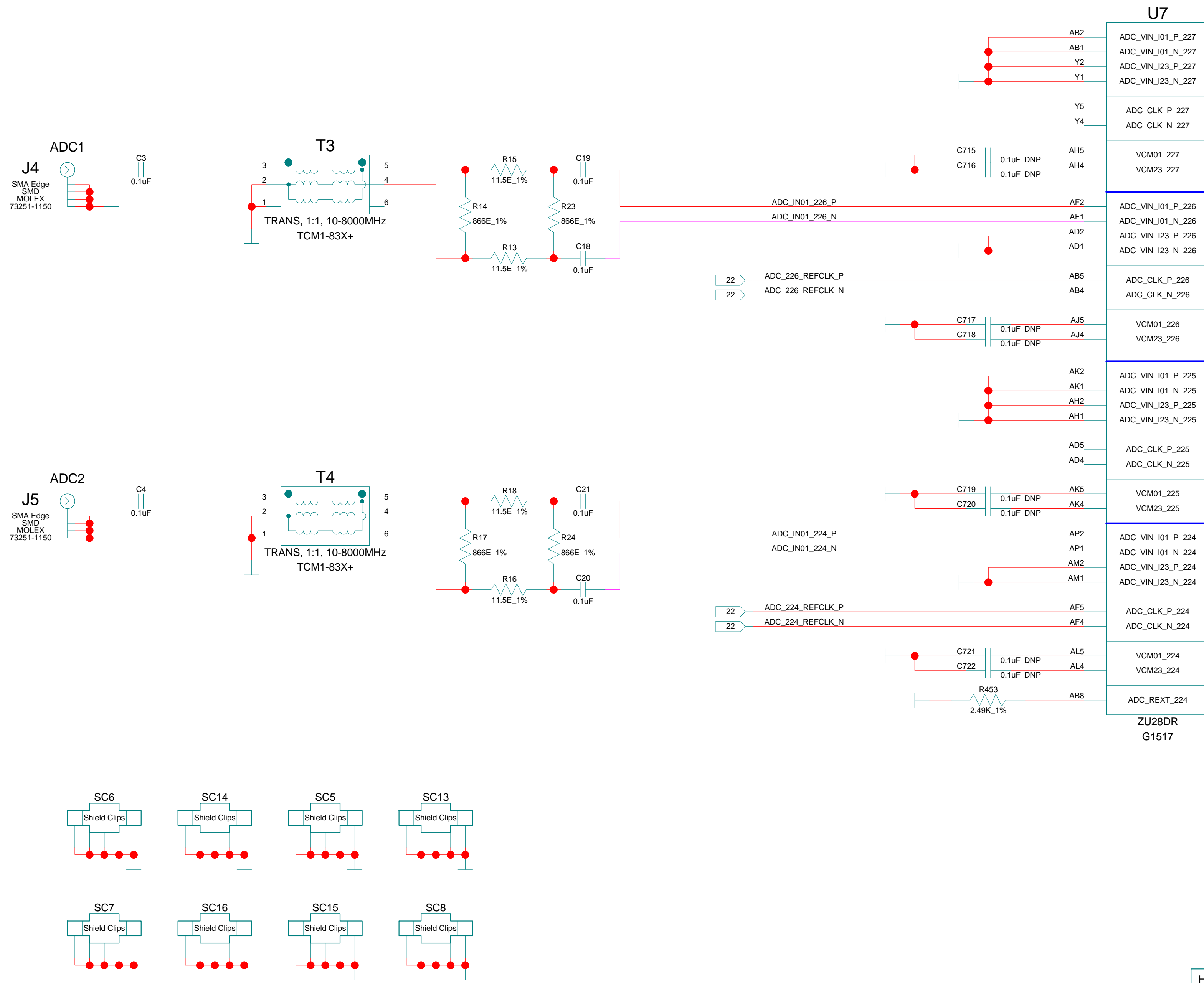


Zynq US+ RFSoc, 48HD, 299HP, 214PS, 16GTy, 4GTR, 8ADC, 8DAC
 ZU28DR
 G1517

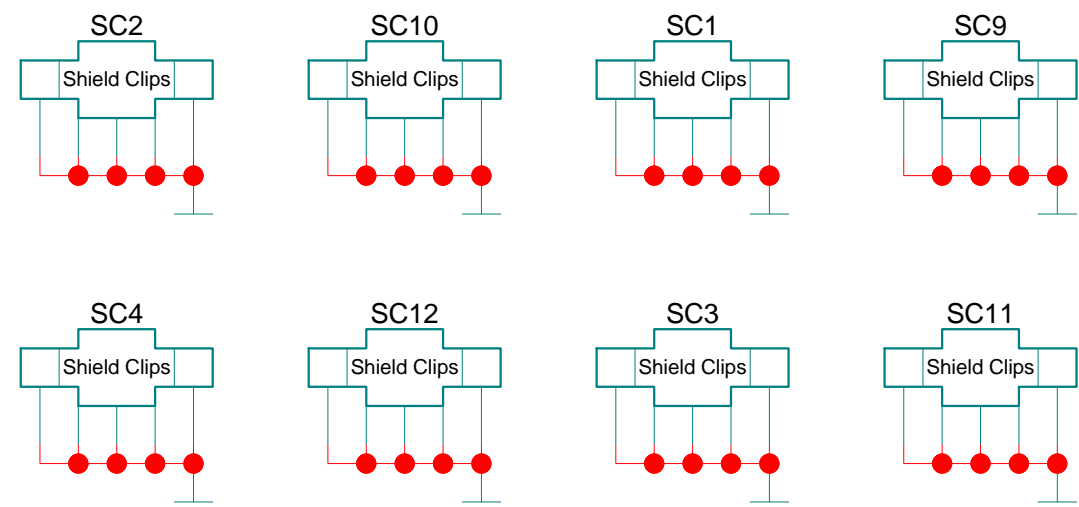
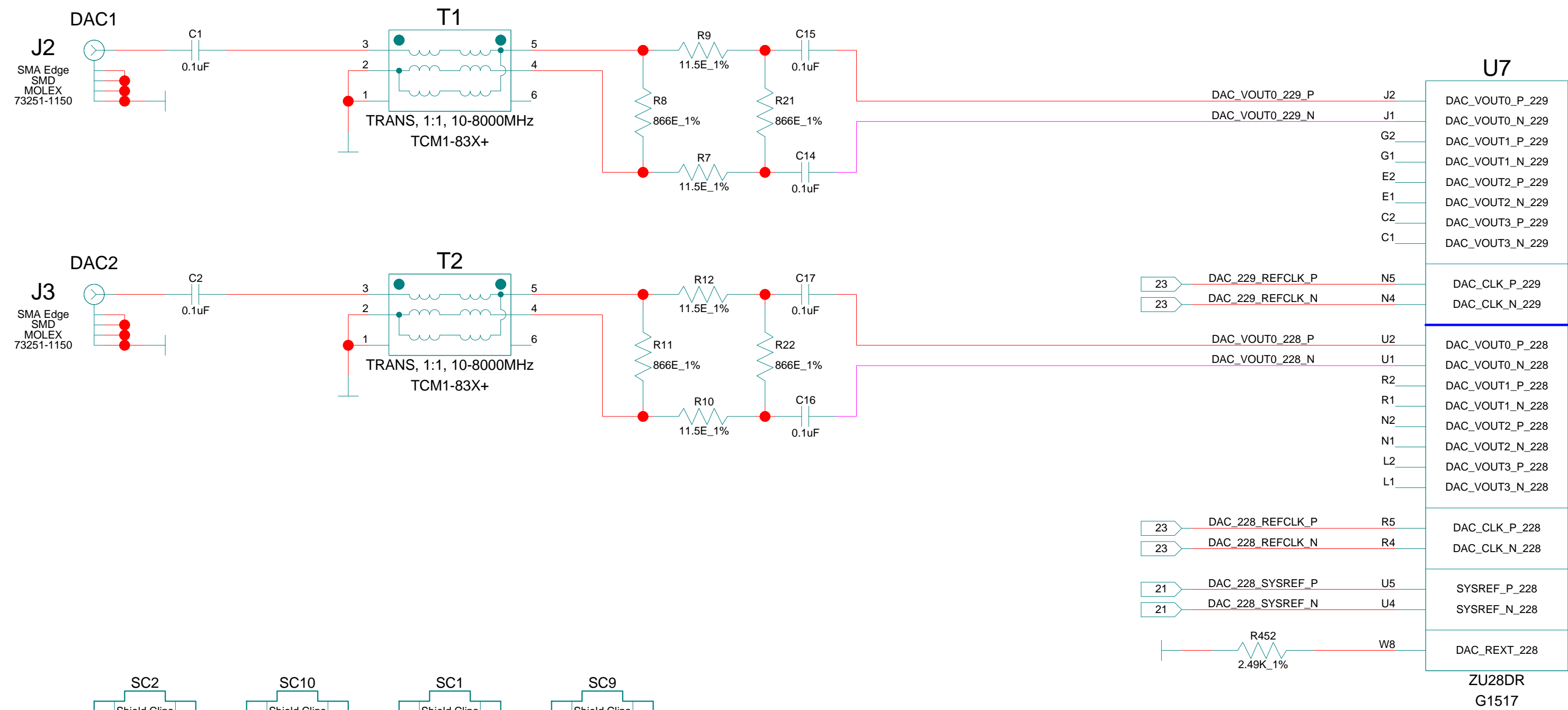
HiTech Global Distribution, LLC. www.HiTechGlobal.com		PCB P/N: ASSY P/N:	
TITLE: HTG-ZRF2-XUP PL 64-66 PMOD and USER			
SIZE C	DATE 19/11/2020:17:44	DWG. NO.	REV 1.1
DESIGNED BY: IVI		SHEET 14 OF 49	



HiTech Global Distribution, LLC. www.HiTechGlobal.com		PCB P/N: ASSY P/N:	
TITLE: HTG-ZRF2-XUP PL UNUSER GTY			
SIZE C	DATE 19/11/2020:17:44	DWG. NO.	REV 1.1
DESIGNED BY: IVI		SHEET 15 OF 49	



HiTech Global Distribution, LLC. www.HiTechGlobal.com		PCB P/N: ASSY P/N:	
TITLE: HTG-ZRF2-XUP RF ADC			
SIZE C	DATE 19/11/2020:17:44	DWG. NO.	REV 1.1
DESIGNED BY: IVI		SHEET 16 OF 49	



HiTech Global Distribution, LLC. www.HiTechGlobal.com		PCB P/N: ASSY P/N:	
TITLE: HTG-ZRF2-XUP RF DAC			
SIZE C	DATE 19/11/2020:17:44	DWG. NO.	REV 1.1
DESIGNED BY: IVI		SHEET 17 OF 49	

D

C

B

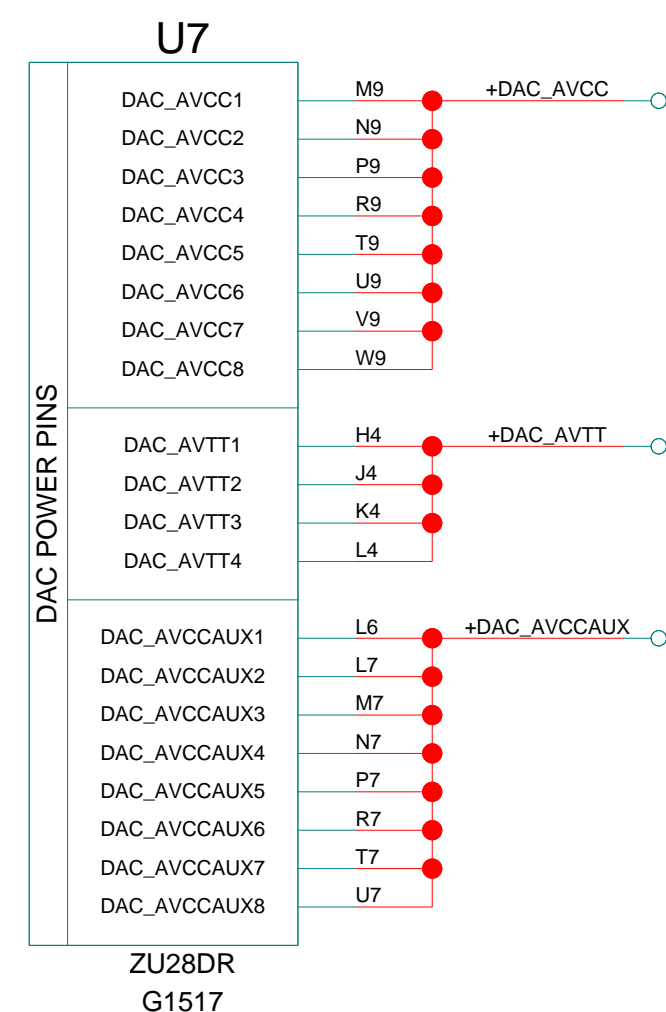
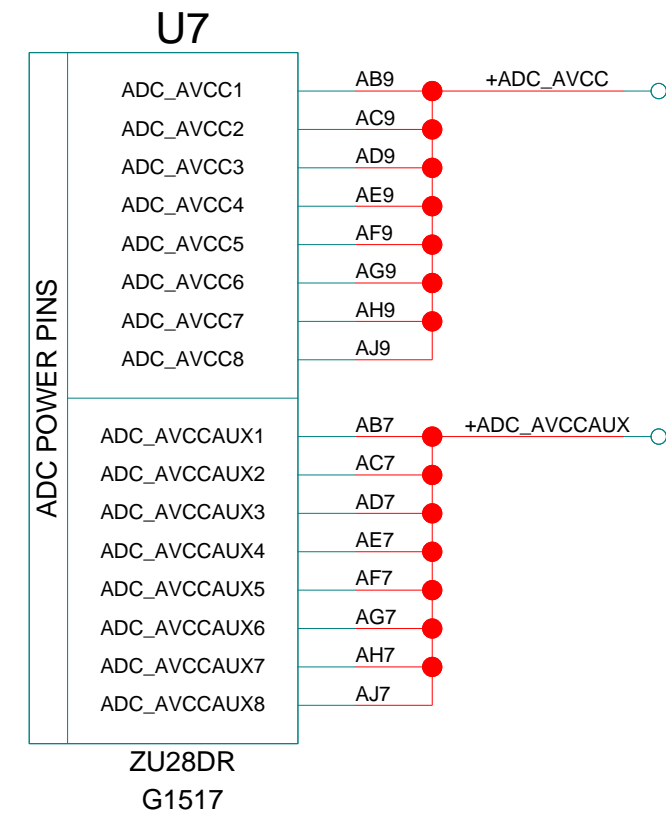
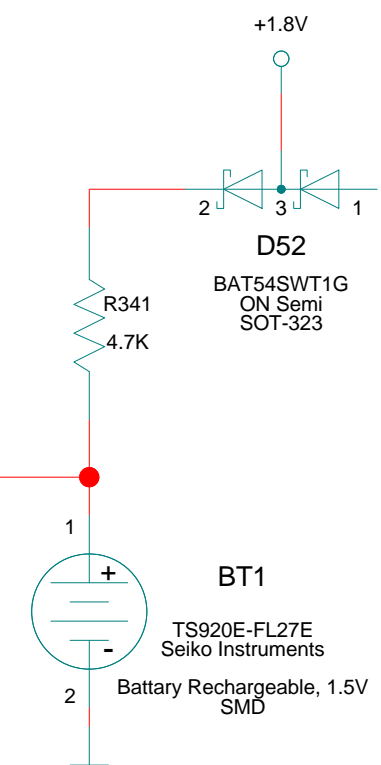
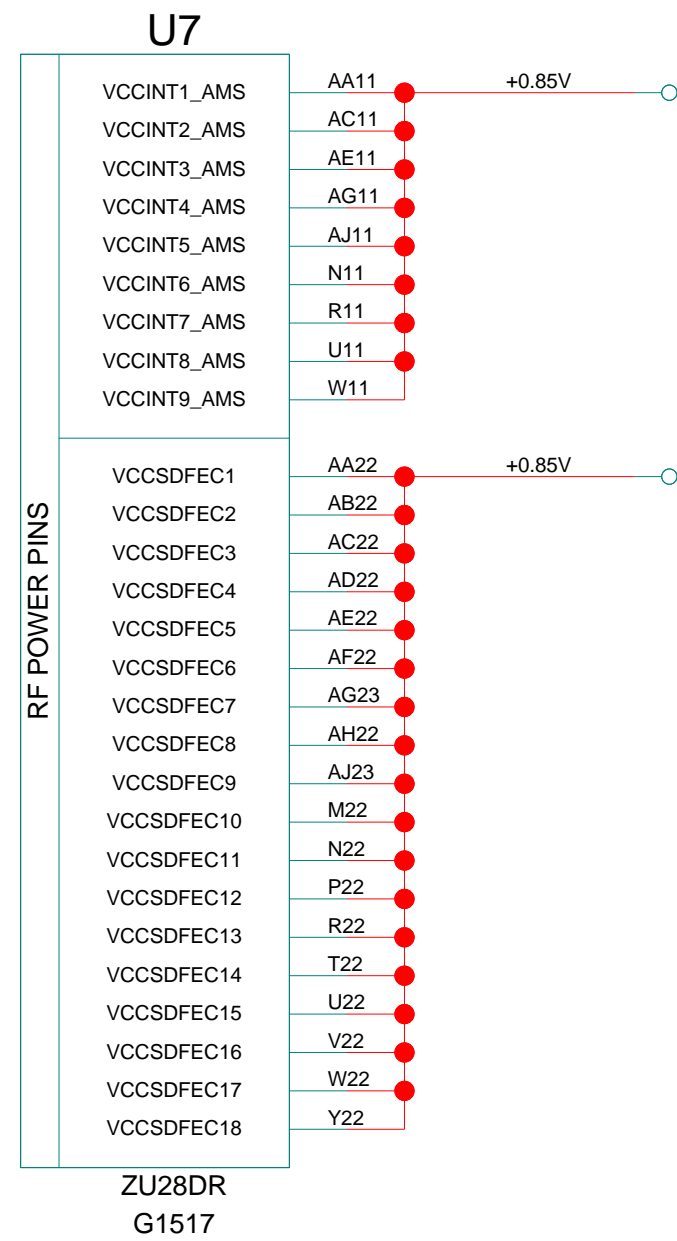
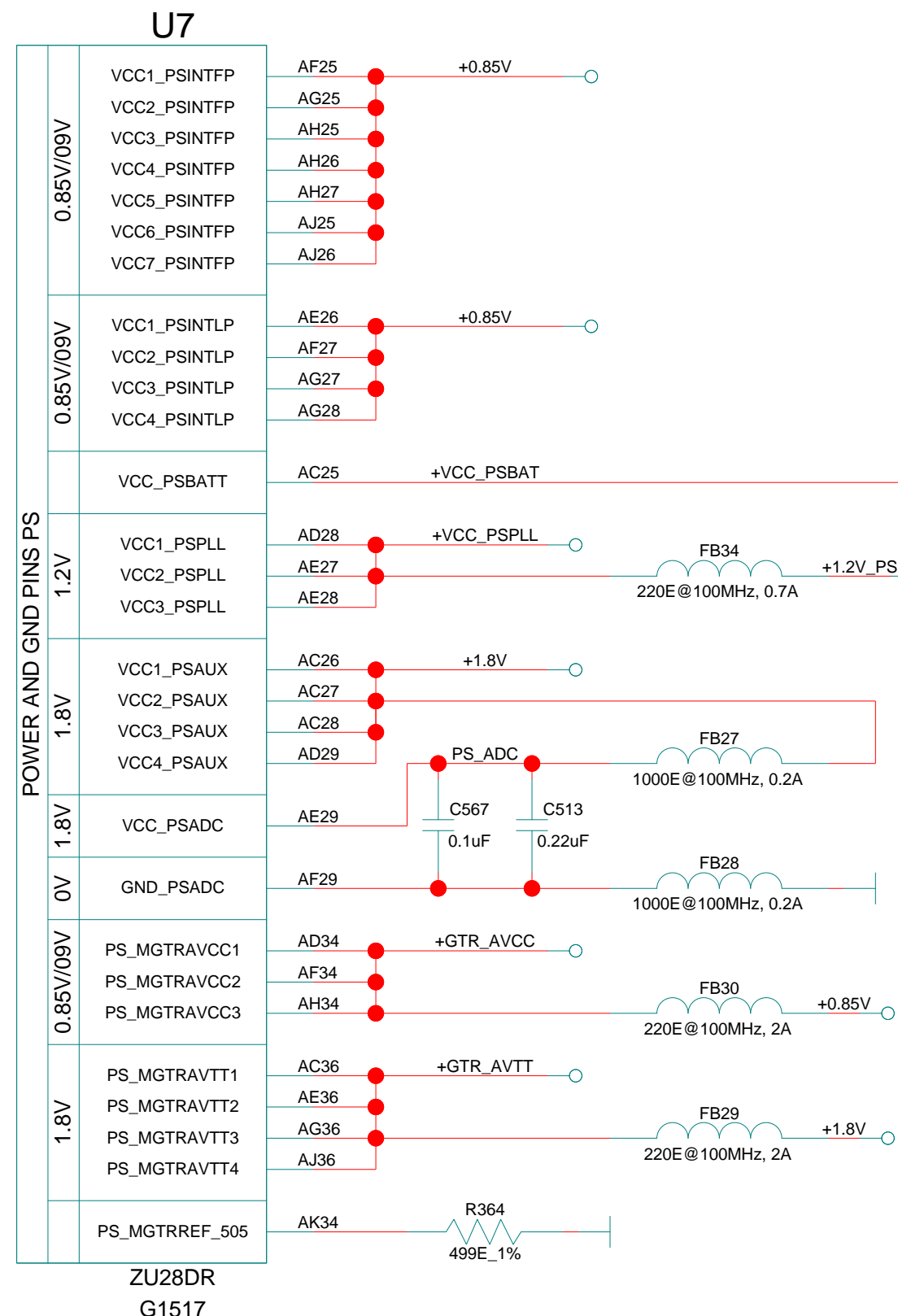
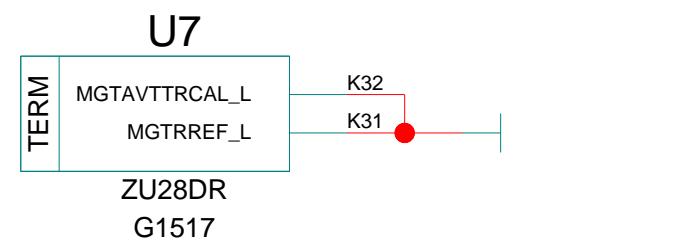
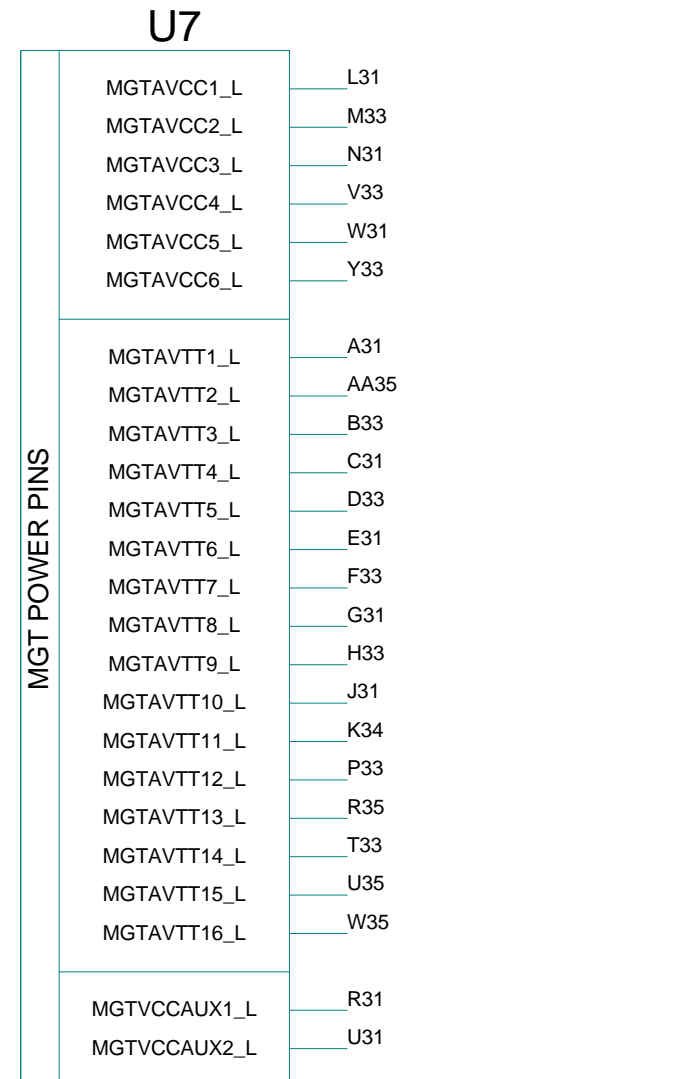
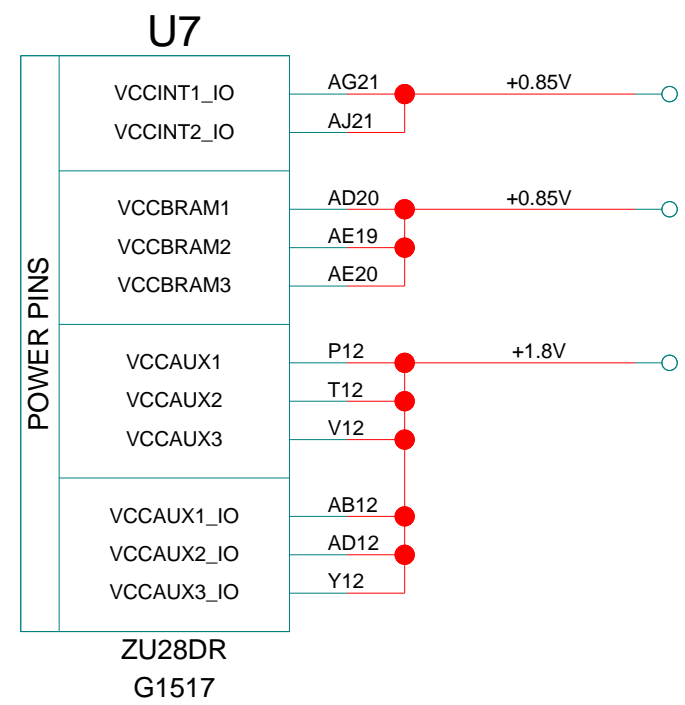
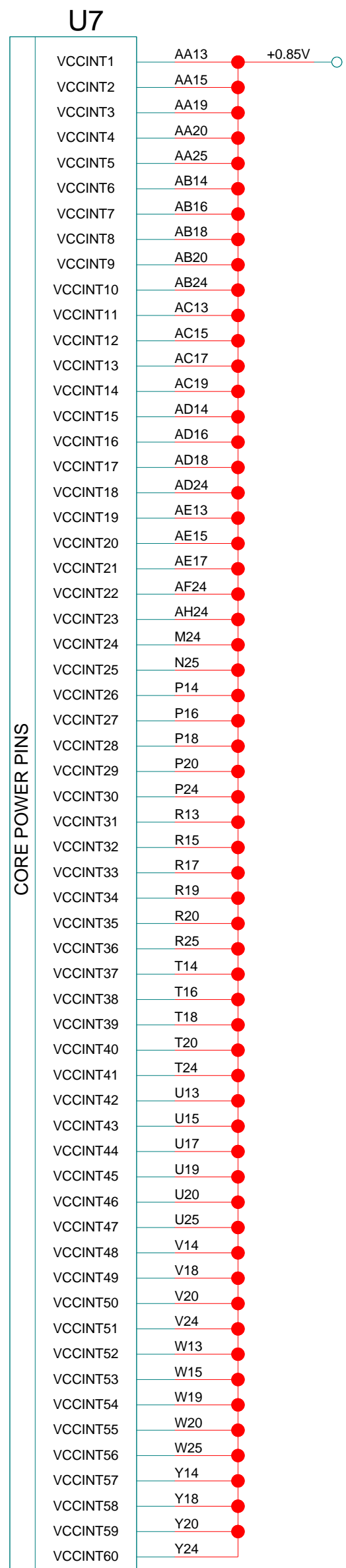
A

D

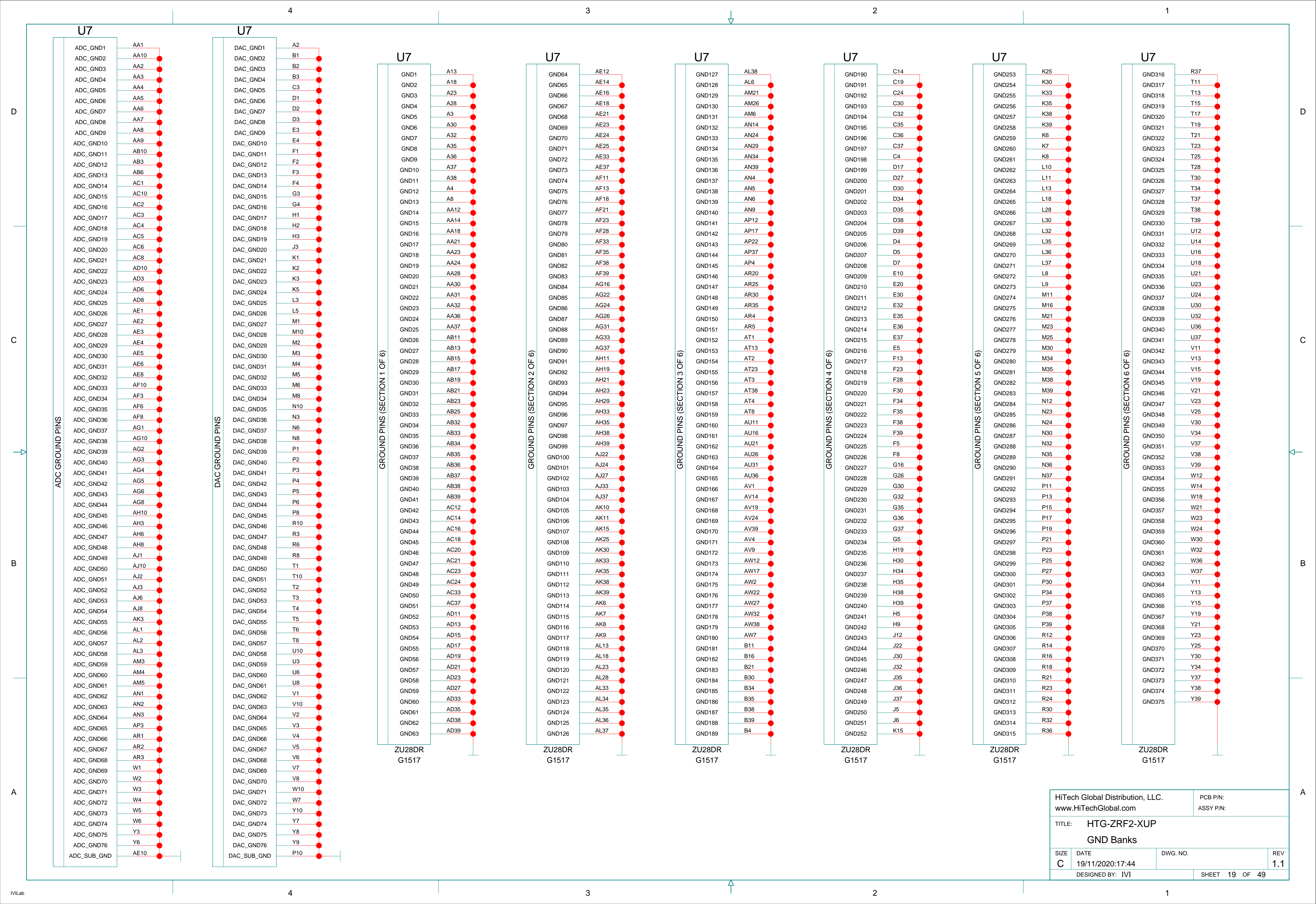
C

B

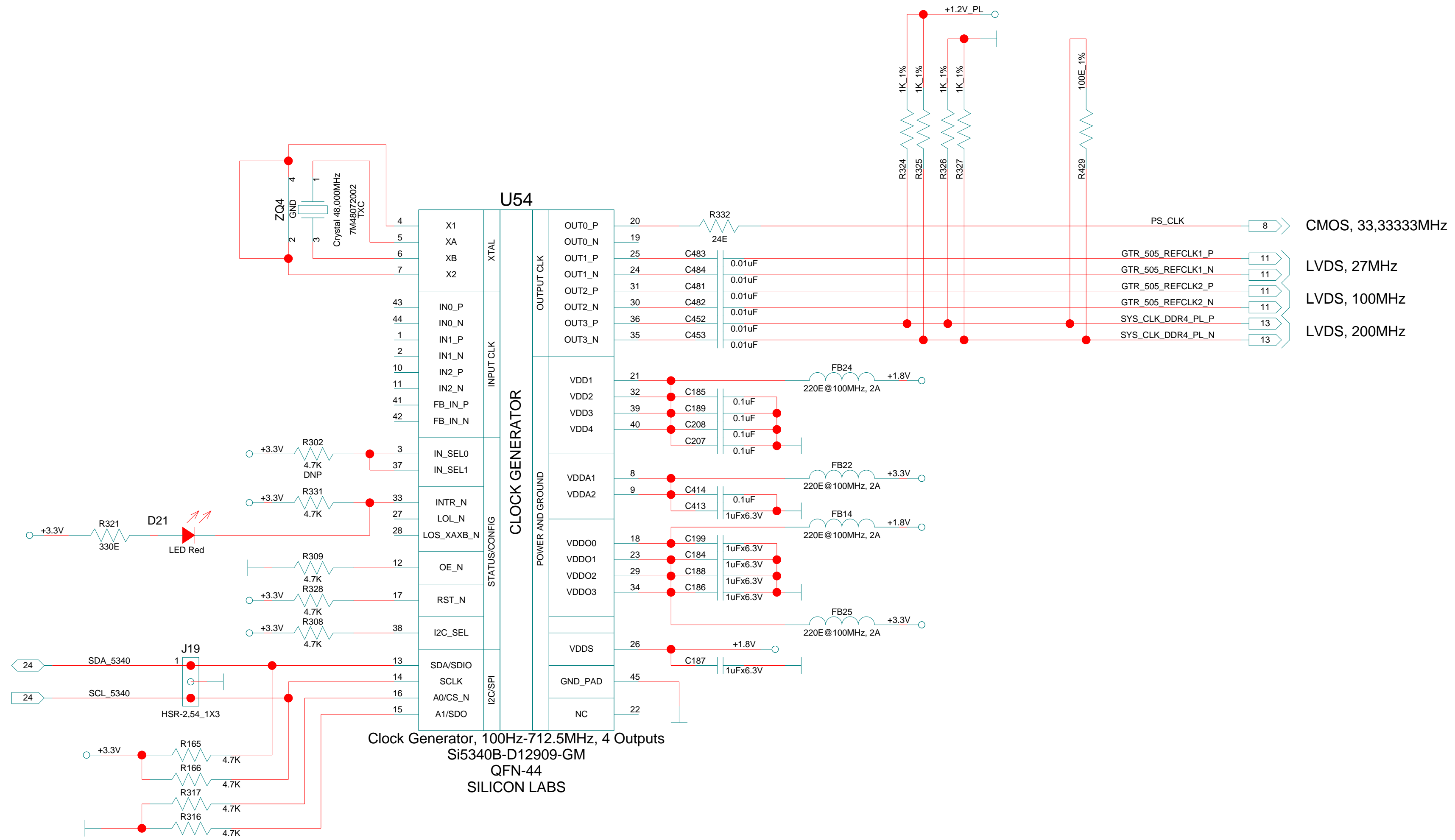
A



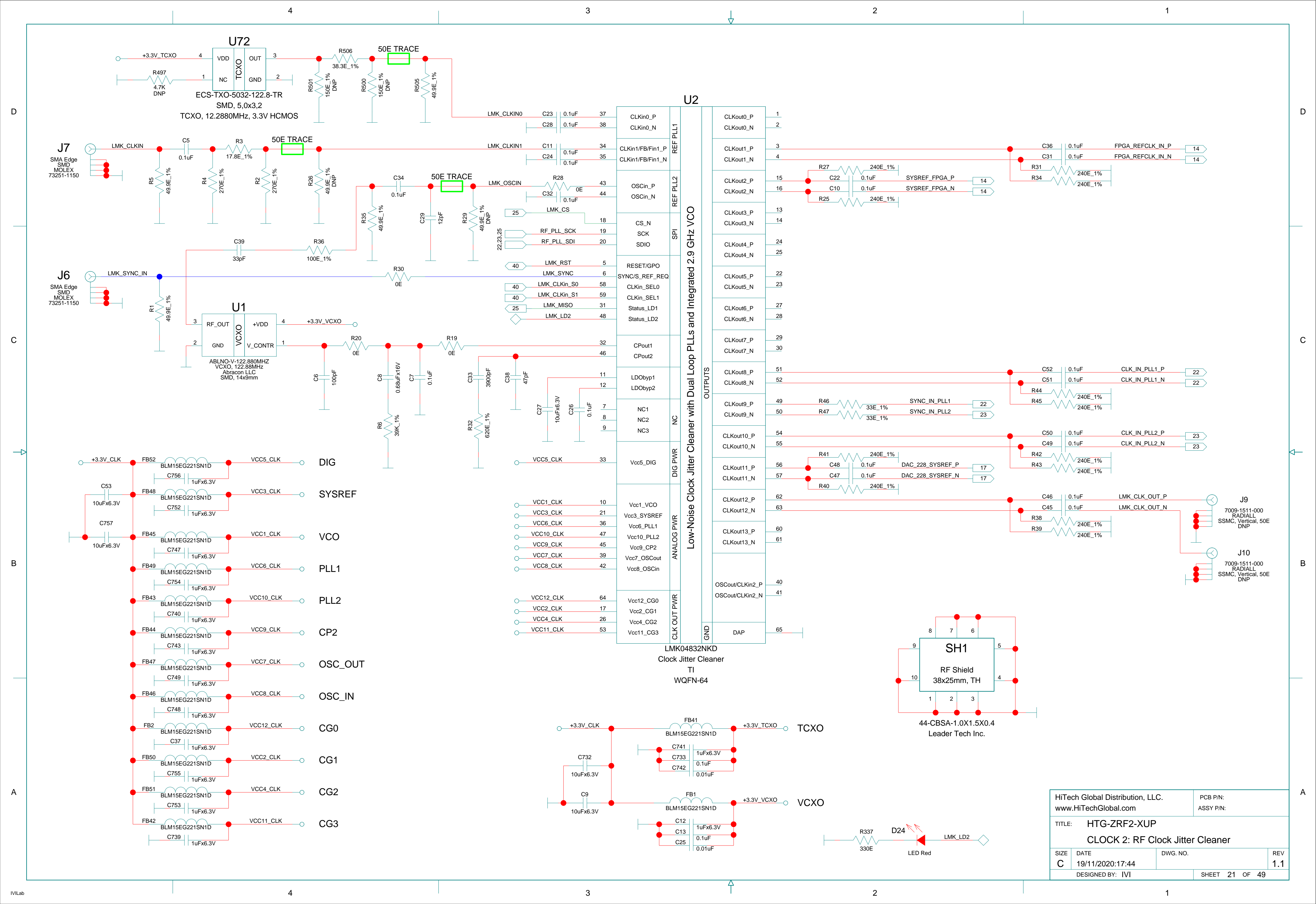
HiTech Global Distribution, LLC. www.HiTechGlobal.com		PCB P/N: ASSY P/N:	
TITLE: HTG-ZRF2-XUP			
PWR Banks			
SIZE C	DATE 19/11/2020:17:44	DWG. NO.	REV 1.1
DESIGNED BY: IVI		SHEET 18 OF 49	



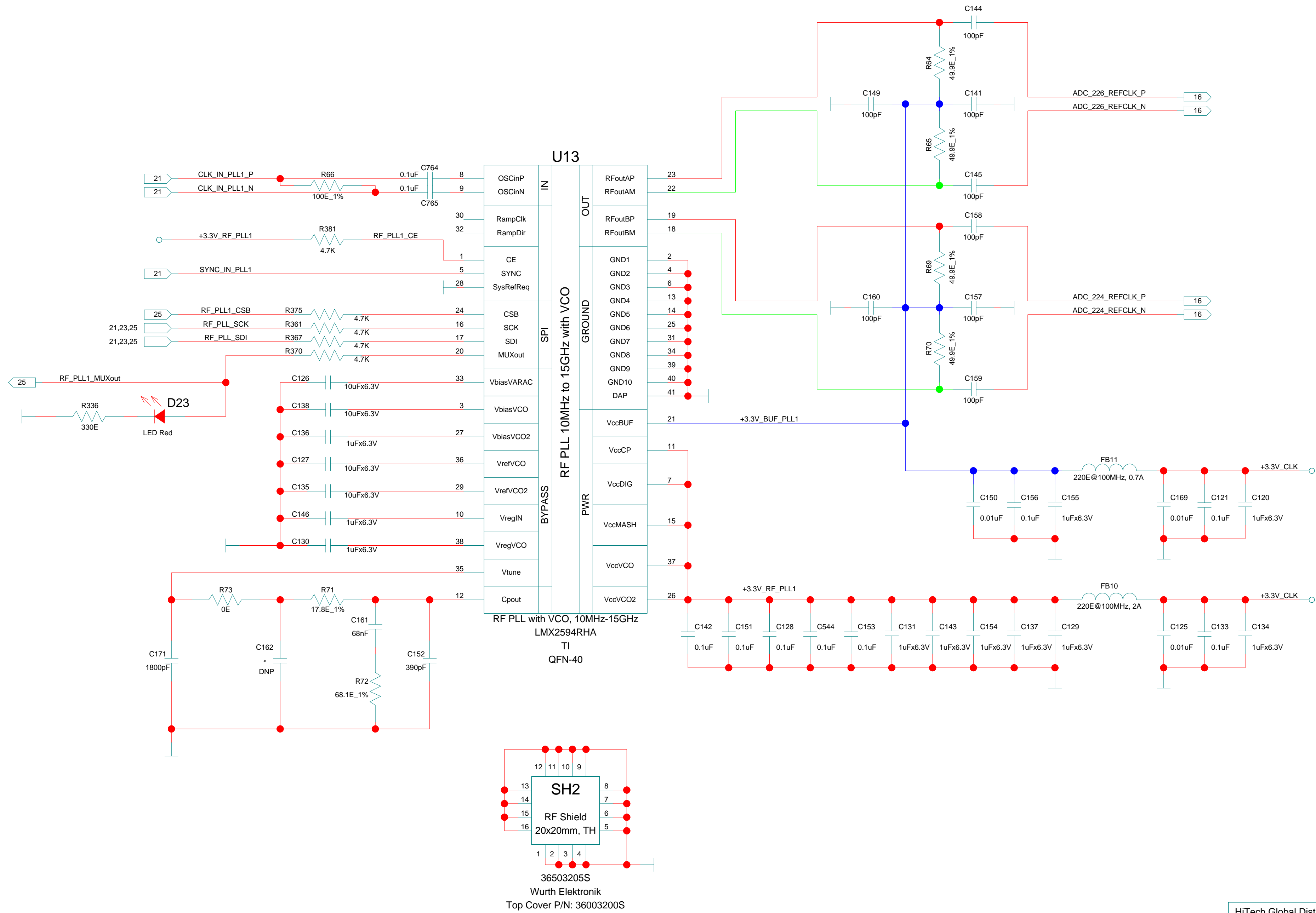
HiTech Global Distribution, LLC. www.HiTechGlobal.com		PCB P/N: ASSY P/N:	
TITLE: HTG-ZRF2-XUP GND Banks			
SIZE C	DATE 19/11/2020:17:44	DWG. NO.	REV 1.1
DESIGNED BY: IVI		SHEET 19 OF 49	



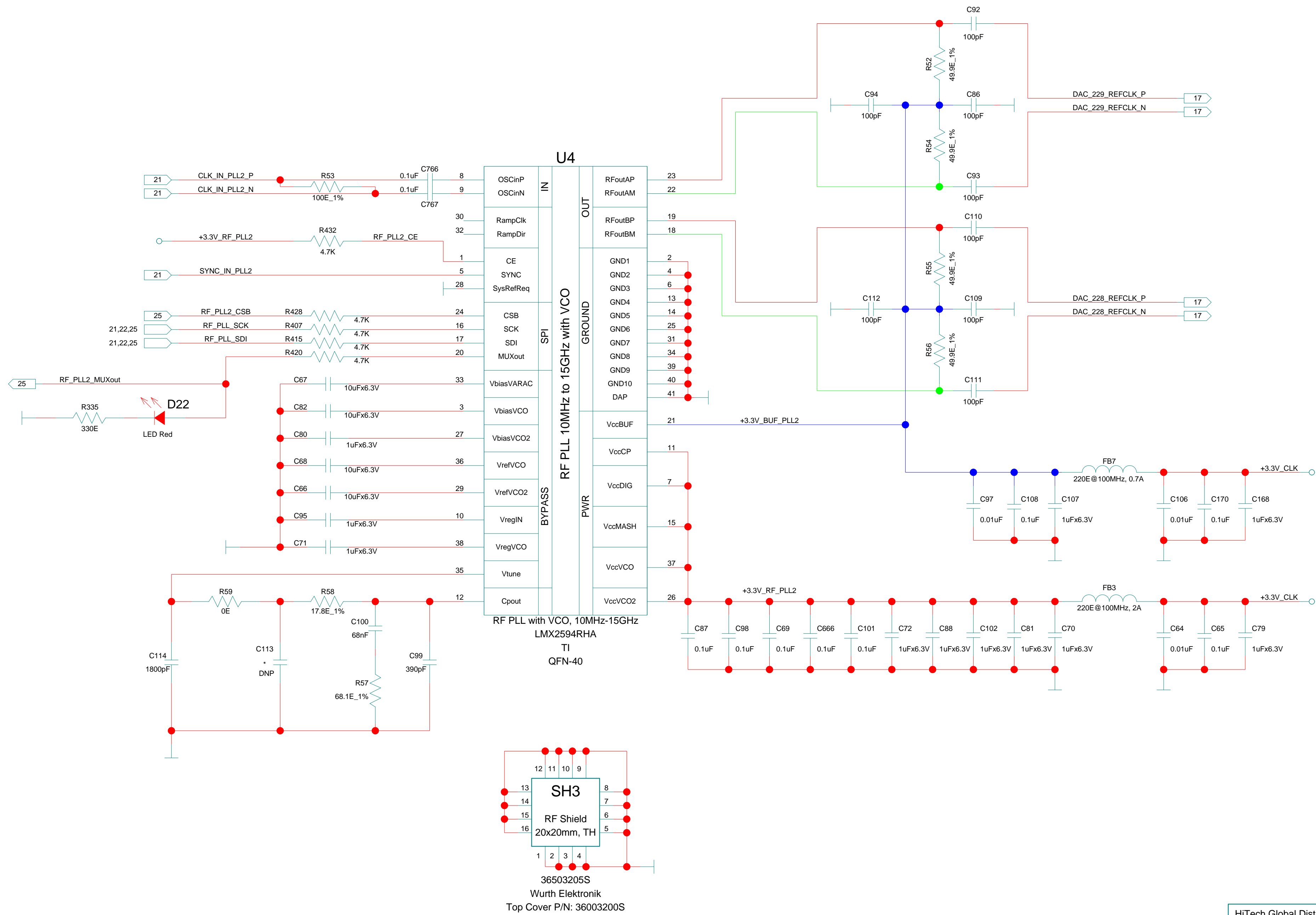
HiTech Global Distribution, LLC. www.HiTechGlobal.com		PCB P/N: ASSY P/N:	
TITLE: HTG-ZRF2-XUP CLOCK 1: SYS DDR4 GTR and USER			
SIZE C	DATE 19/11/2020:17:44	DWG. NO.	REV 1.1
DESIGNED BY: IVI		SHEET 20 OF 49	



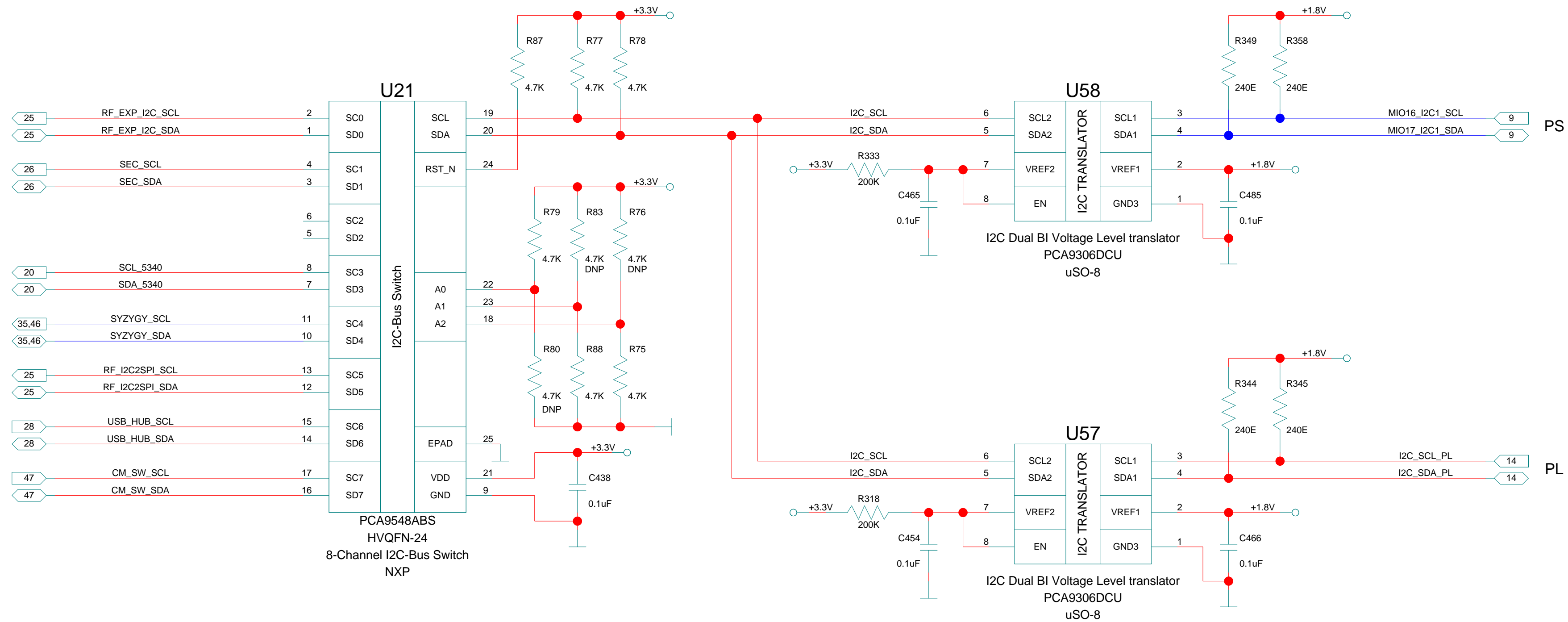
HiTech Global Distribution, LLC. www.HiTechGlobal.com		PCB P/N: ASSY P/N:	
TITLE: HTG-ZRF2-XUP CLOCK 2: RF Clock Jitter Cleaner			
SIZE C	DATE 19/11/2020:17:44	DWG. NO.	REV 1.1
DESIGNED BY: IVI		SHEET 21 OF 49	



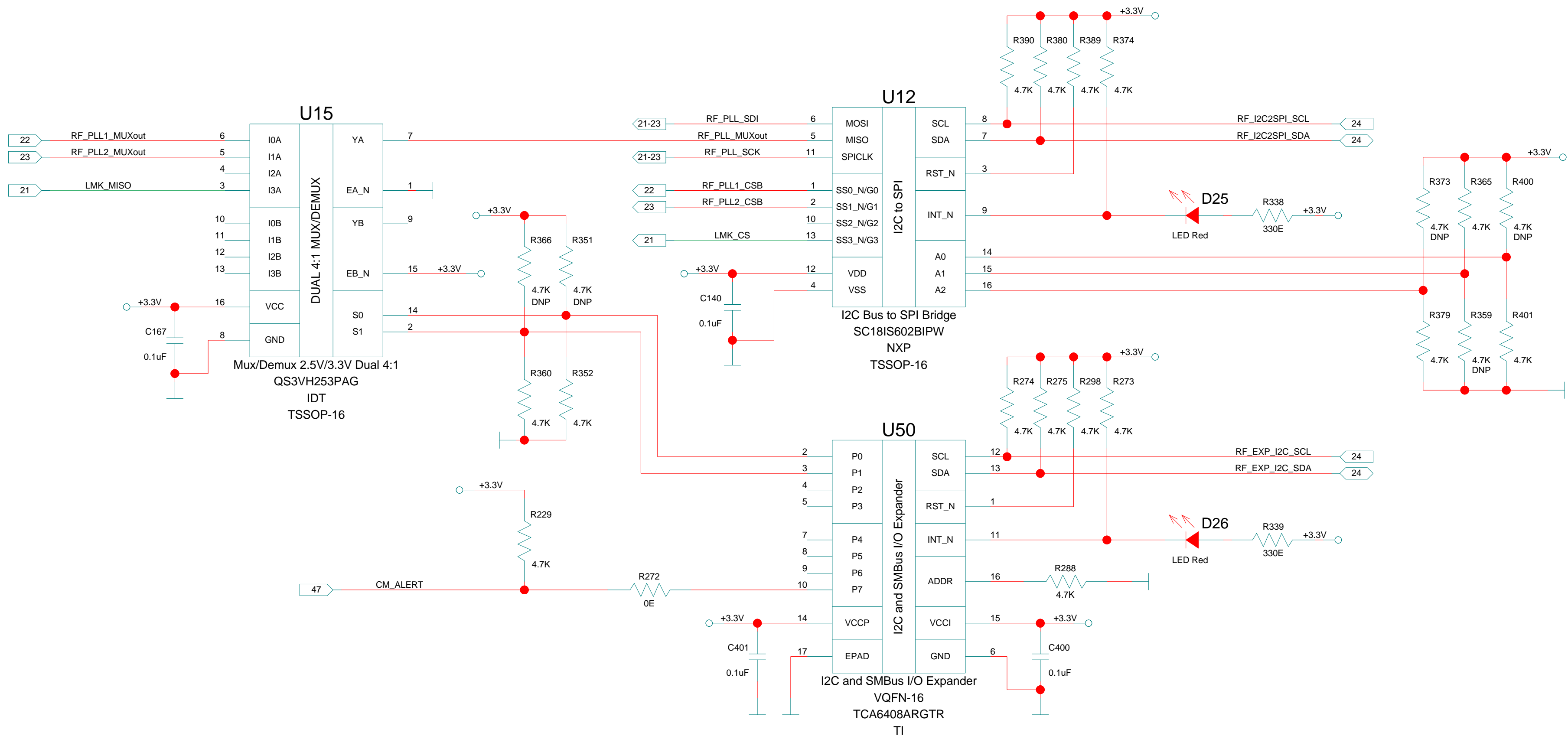
HiTech Global Distribution, LLC. www.HiTechGlobal.com		PCB P/N: ASSY P/N:	
TITLE: HTG-ZRF2-XUP CLOCK 3: RF PLL1			
SIZE C	DATE 19/11/2020:17:44	DWG. NO.	REV 1.1
DESIGNED BY: IVI		SHEET 22 OF 49	



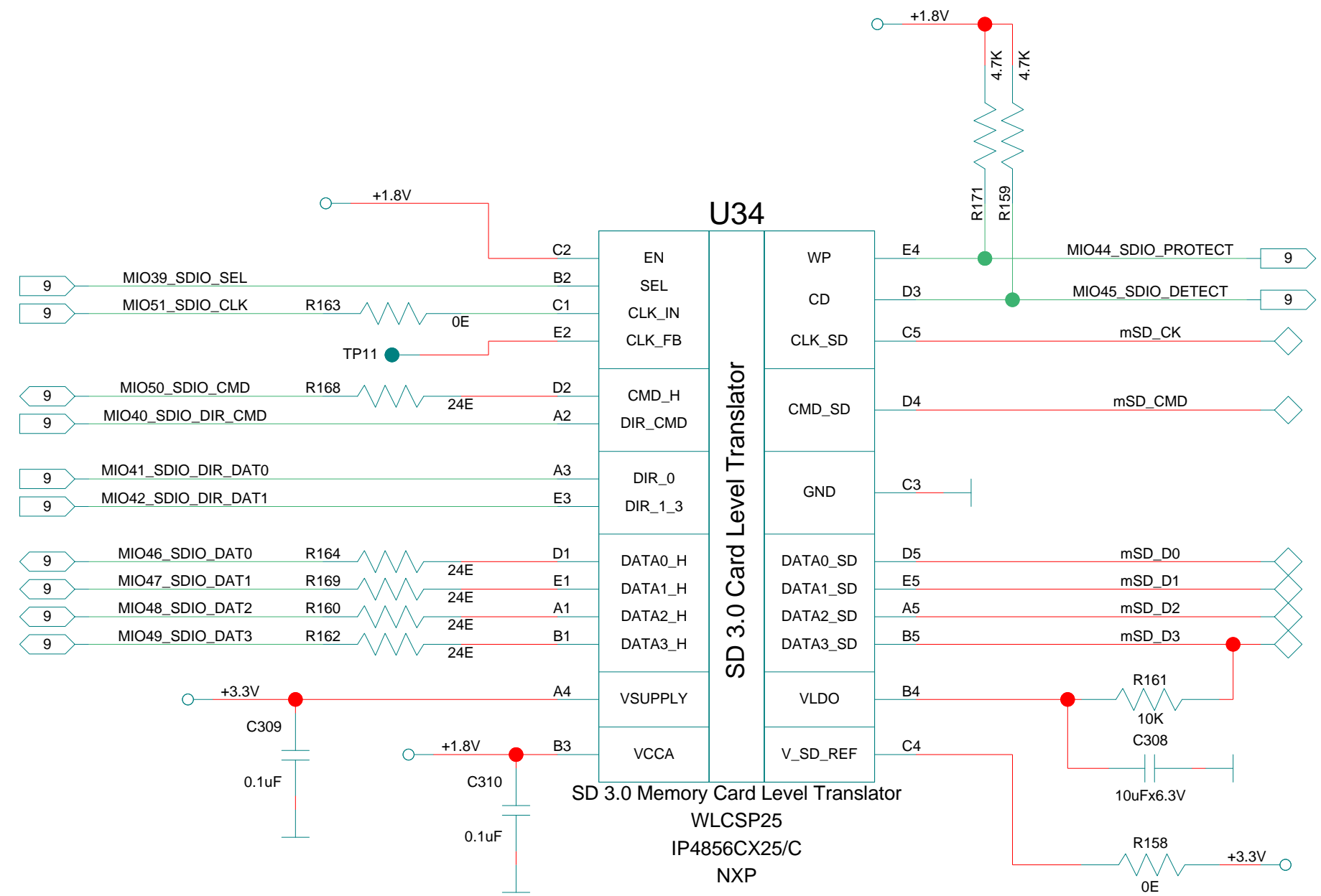
HiTech Global Distribution, LLC. www.HiTechGlobal.com		PCB P/N: ASSY P/N:	
TITLE: HTG-ZRF2-XUP CLOCK 4: RF PLL2			
SIZE C	DATE 19/11/2020:17:44	DWG. NO.	REV 1.1
DESIGNED BY: IVI		SHEET 23 OF 49	



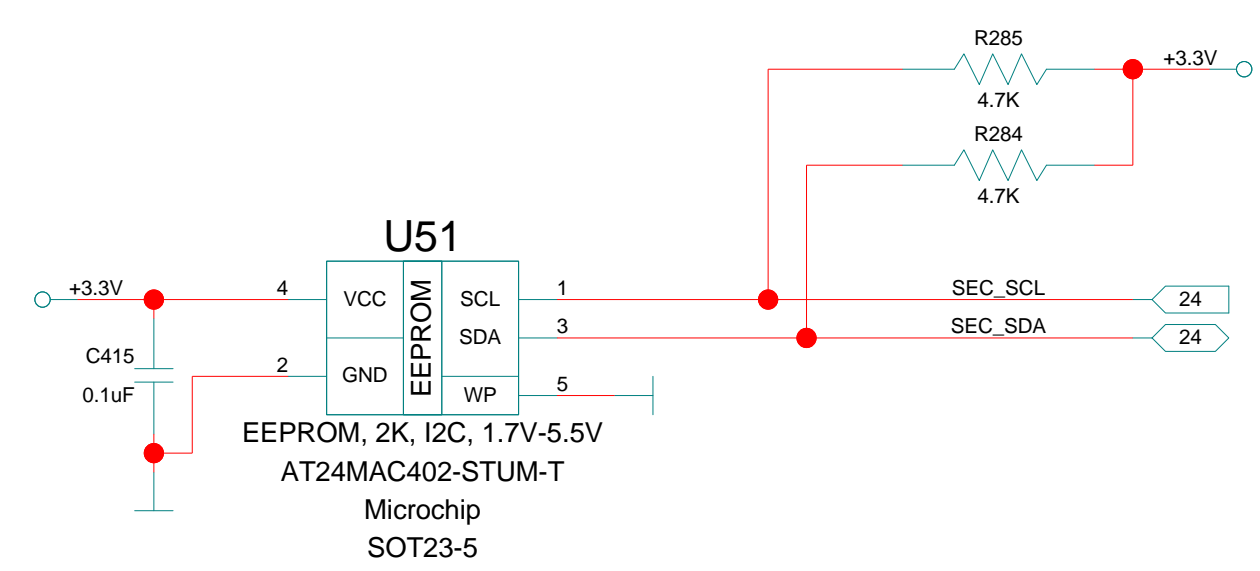
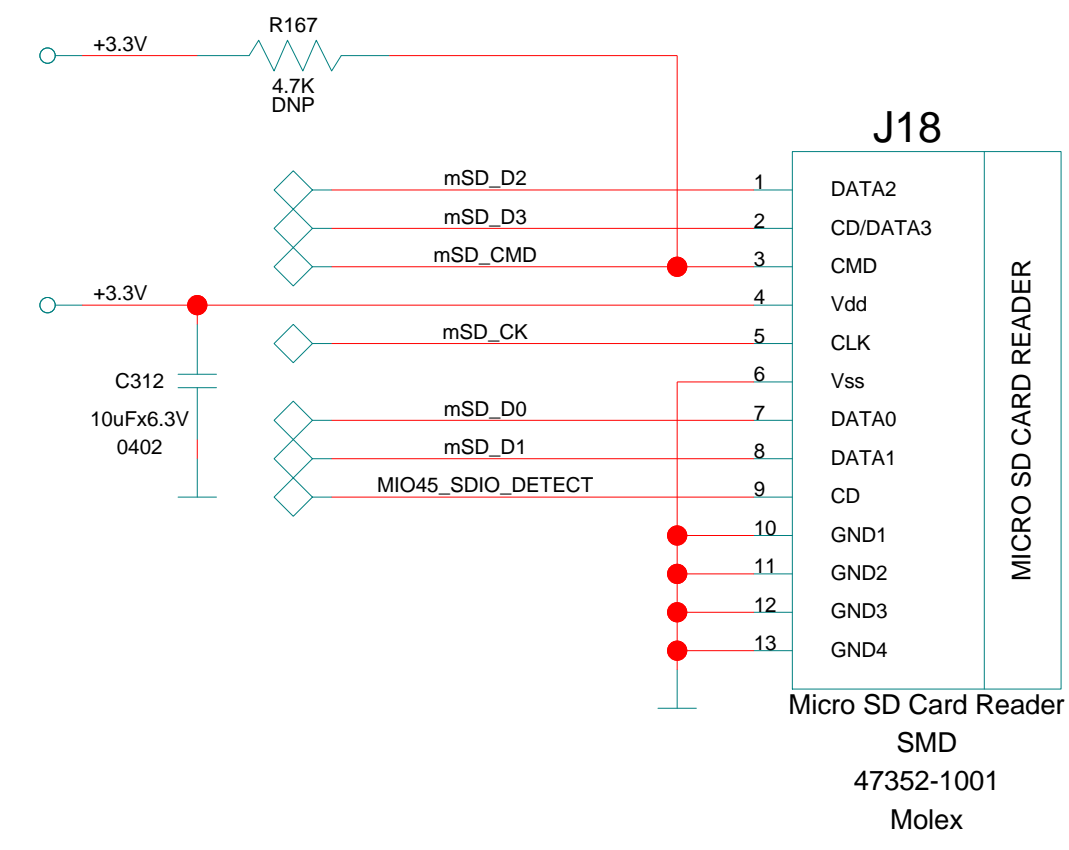
HiTech Global Distribution, LLC. www.HiTechGlobal.com		PCB P/N: ASSY P/N:	
TITLE: HTG-ZRF2-XUP I2C Switch			
SIZE C	DATE 19/11/2020:17:44	DWG. NO.	REV 1.1
DESIGNED BY: IVI		SHEET 24 OF 49	



HiTech Global Distribution, LLC. www.HiTechGlobal.com		PCB P/N: ASSY P/N:	
TITLE: HTG-ZRF2-XUP SPI bridges			
SIZE C	DATE 19/11/2020:17:44	DWG. NO.	REV 1.1
DESIGNED BY: IVI		SHEET 25 OF 49	

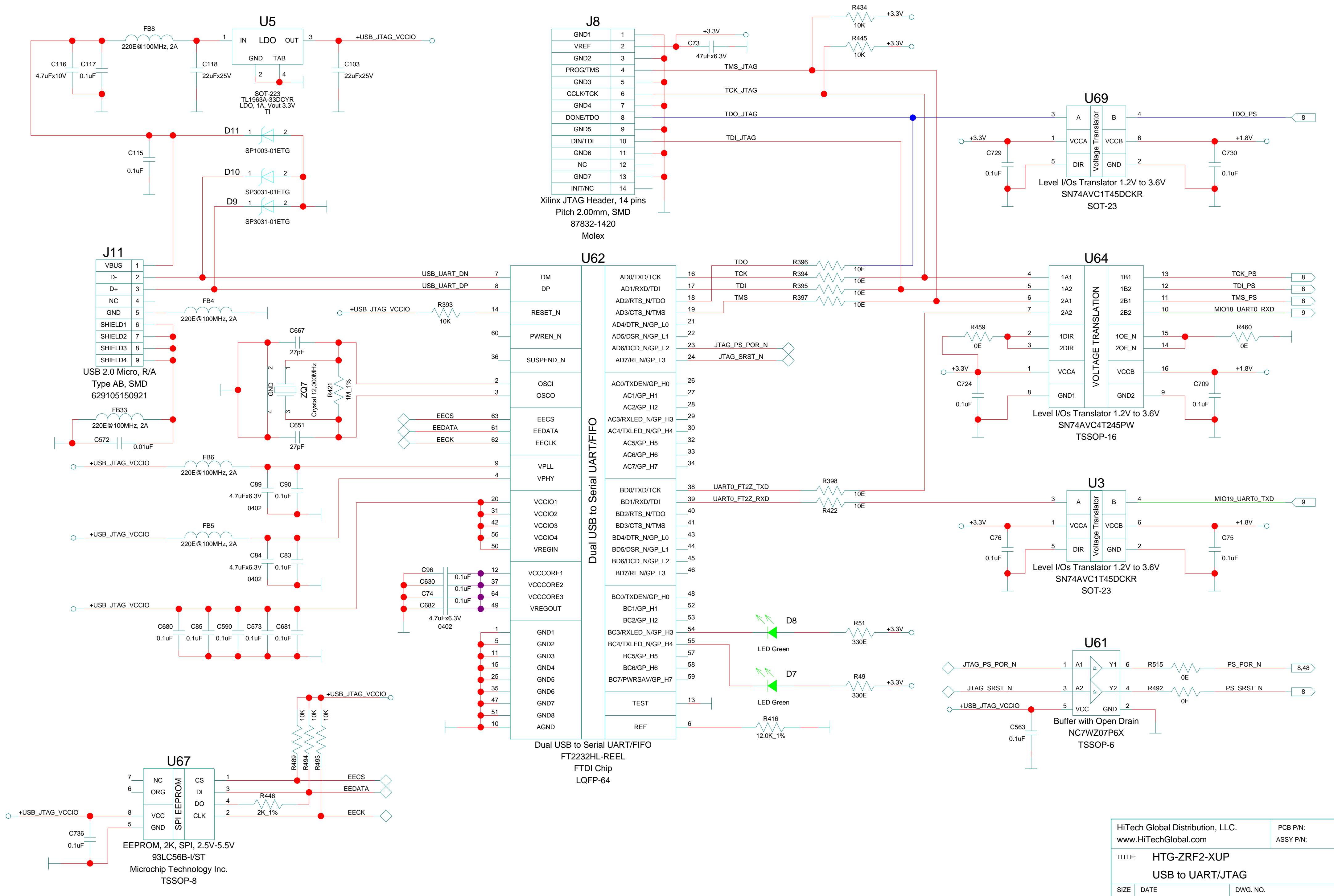


SEL	VSD_REF	VLDO
H	X	1.8V
L	< 1V	2.9V
L	> 1.5V	VSD_REF

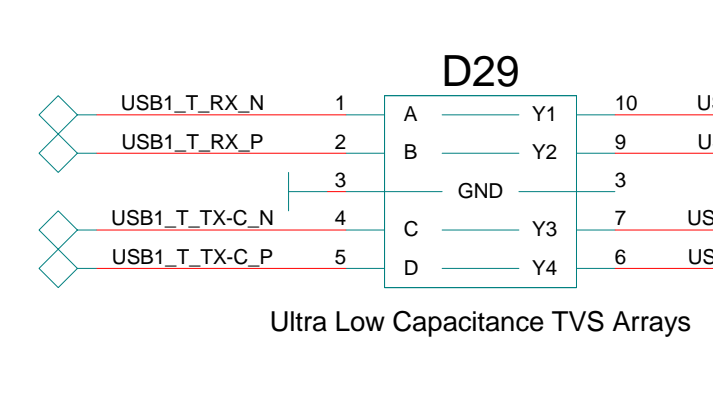
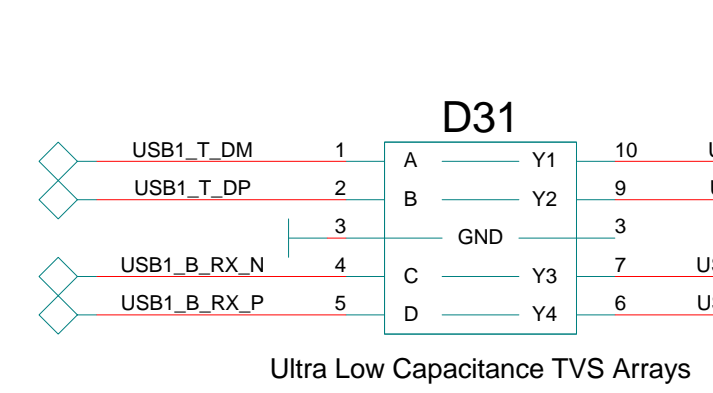
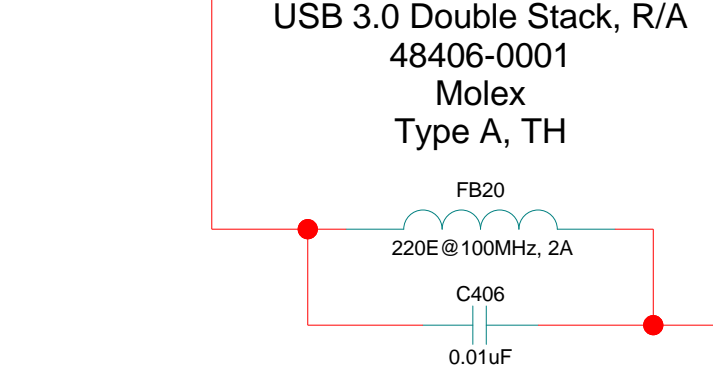
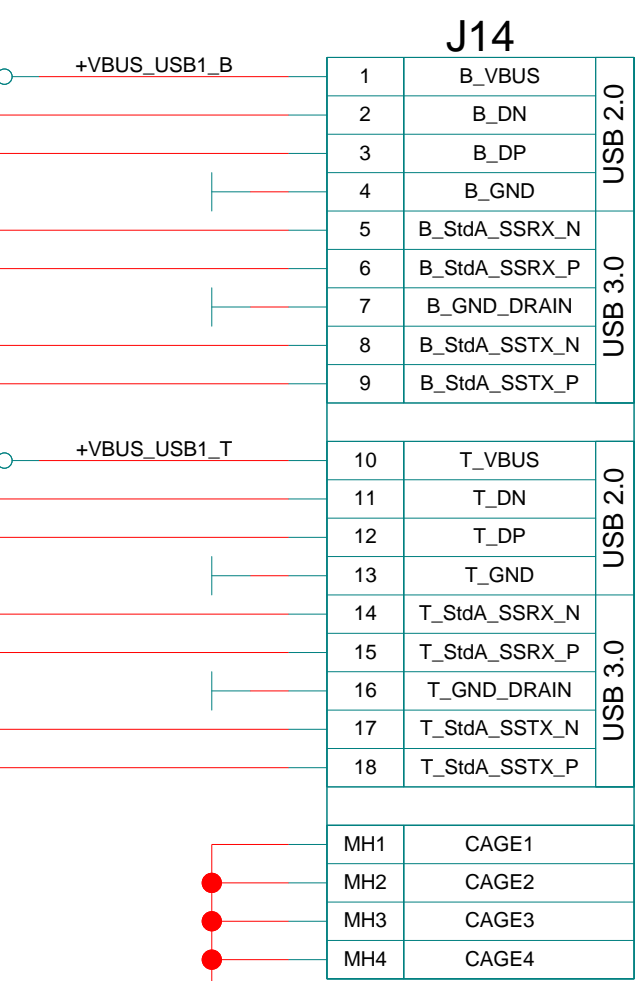
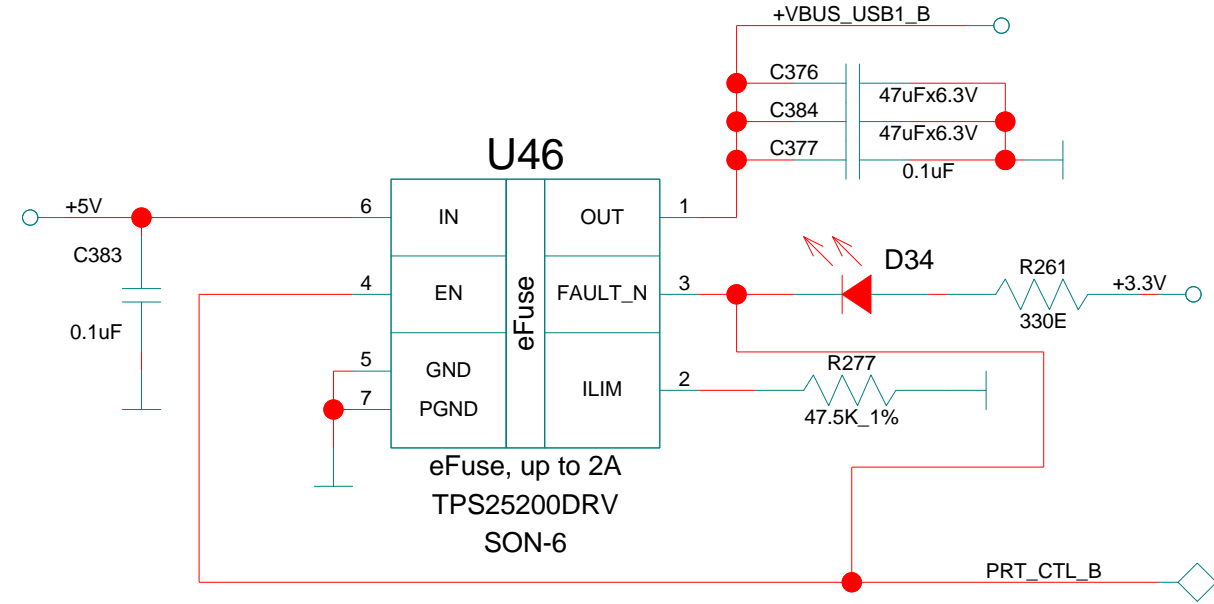
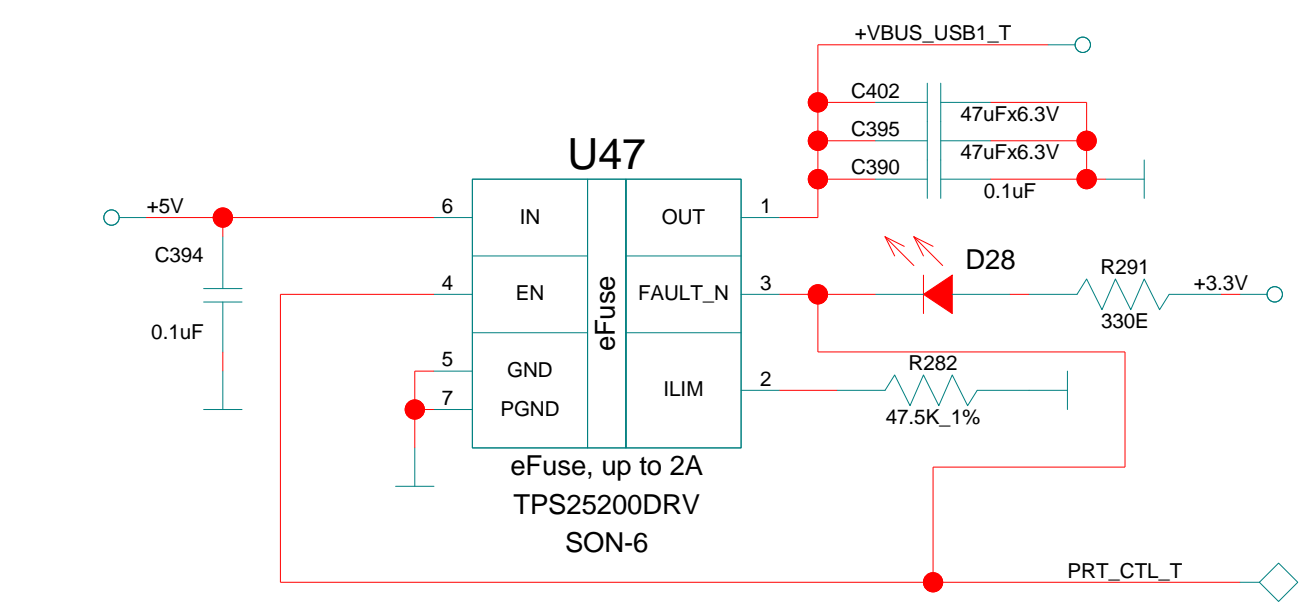
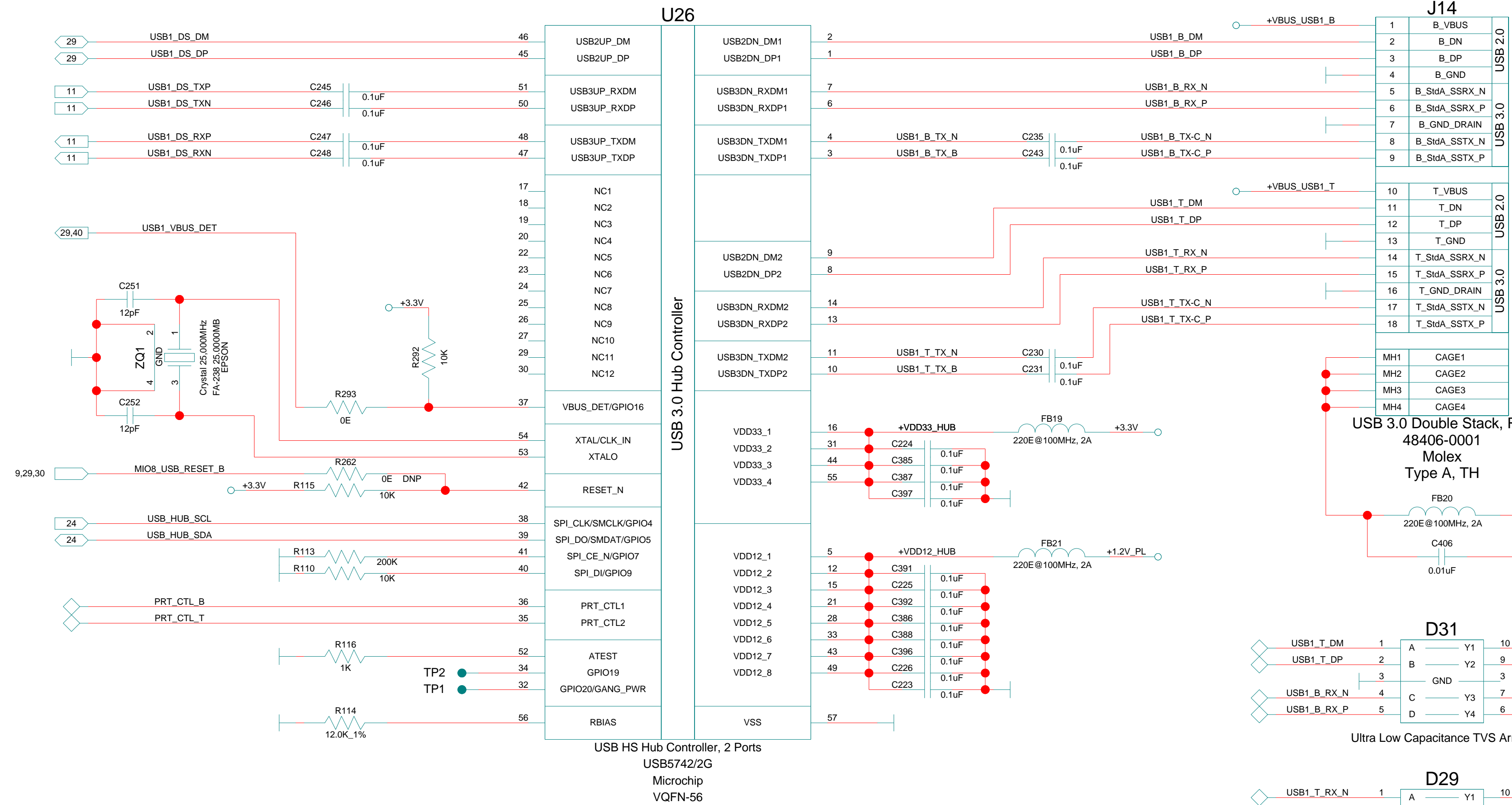


HiTech Global Distribution, LLC. www.HiTechGlobal.com		PCB P/N: ASSY P/N:	
TITLE: HTG-ZRF2-XUP Micro SD and EEPROM			
SIZE C	DATE 19/11/2020:17:44	DWG. NO.	REV 1.1
DESIGNED BY: IVI		SHEET 26 OF 49	

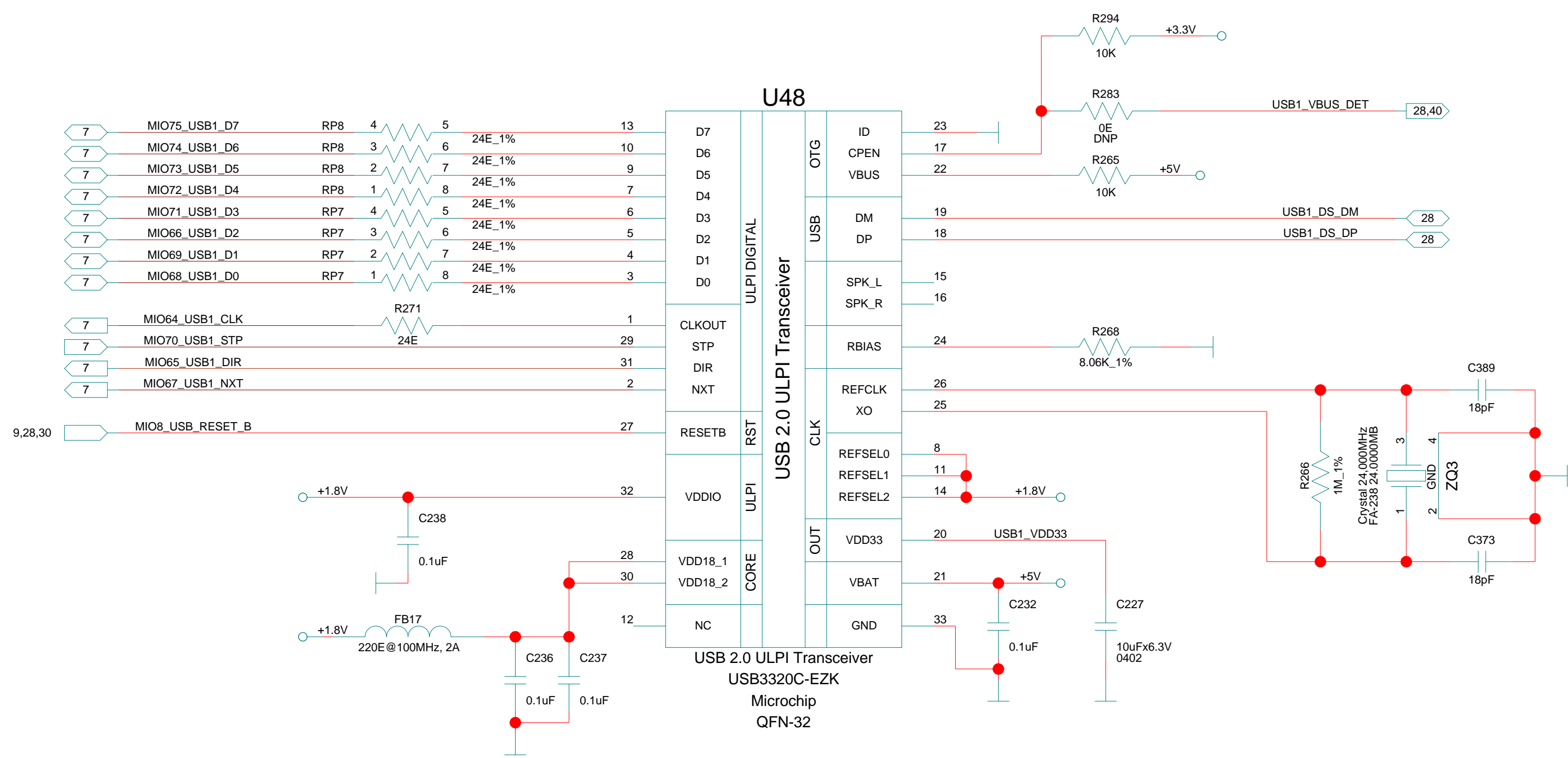
Odd pins of JTAG Header is oriented towards the edge of the PCB.



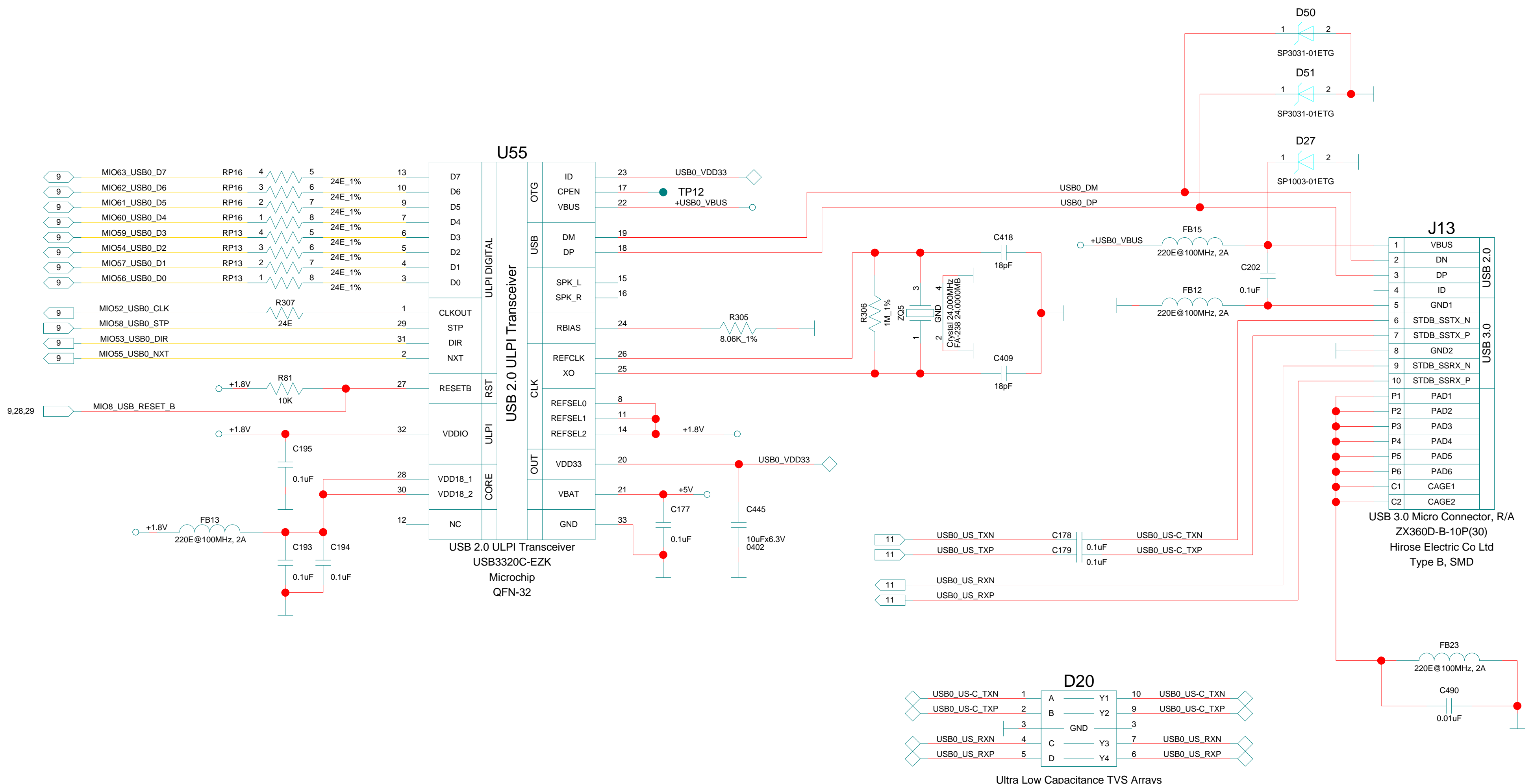
HiTech Global Distribution, LLC. www.HiTechGlobal.com		PCB P/N: ASSY P/N:	
TITLE: HTG-ZRF2-XUP USB to UART/JTAG			
SIZE C	DATE 19/11/2020:17:44	DWG. NO.	REV 1.1
DESIGNED BY: IVI		SHEET 27 OF 49	



HiTech Global Distribution, LLC. www.HiTechGlobal.com		PCB P/N: ASSY P/N:	
TITLE: HTG-ZRF2-XUP USB1 30 Typy-A 2 ports			
SIZE C	DATE 19/11/2020:17:44	DWG. NO.	REV 1.1
DESIGNED BY: IVI		SHEET 28 OF 49	

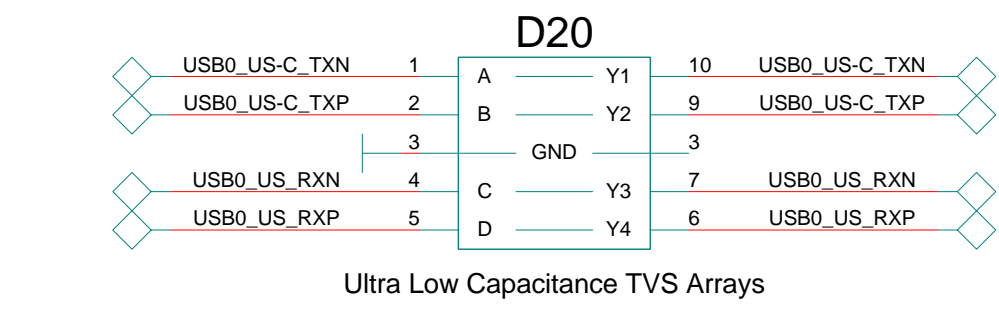


HiTech Global Distribution, LLC. www.HiTechGlobal.com		PCB P/N: ASSY P/N:	
TITLE: HTG-ZRF2-XUP USB1 20 ULPI Transceiver			
SIZE C	DATE 19/11/2020:17:44	DWG. NO.	REV 1.1
DESIGNED BY: IVI		SHEET 29 OF 49	

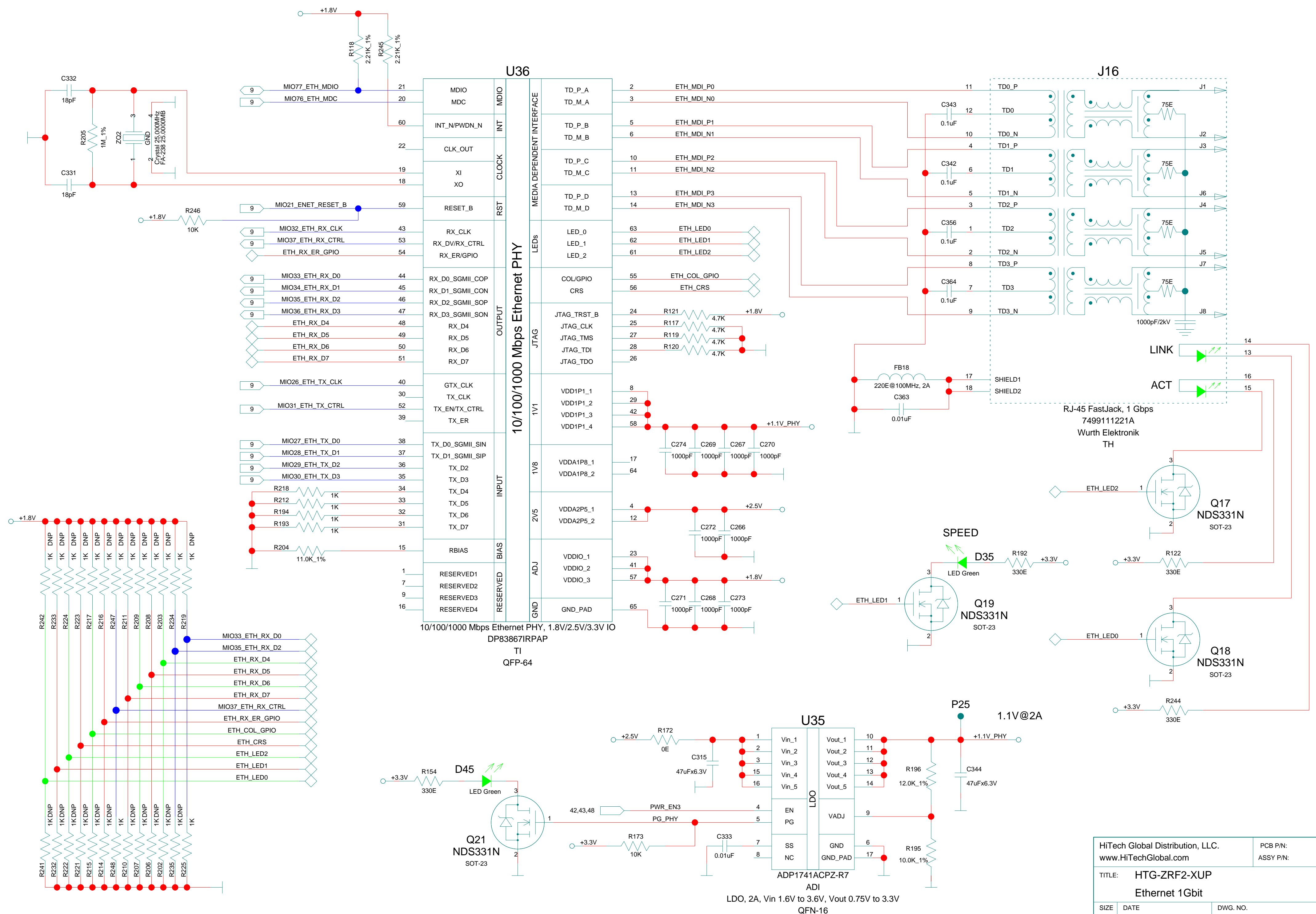


J13

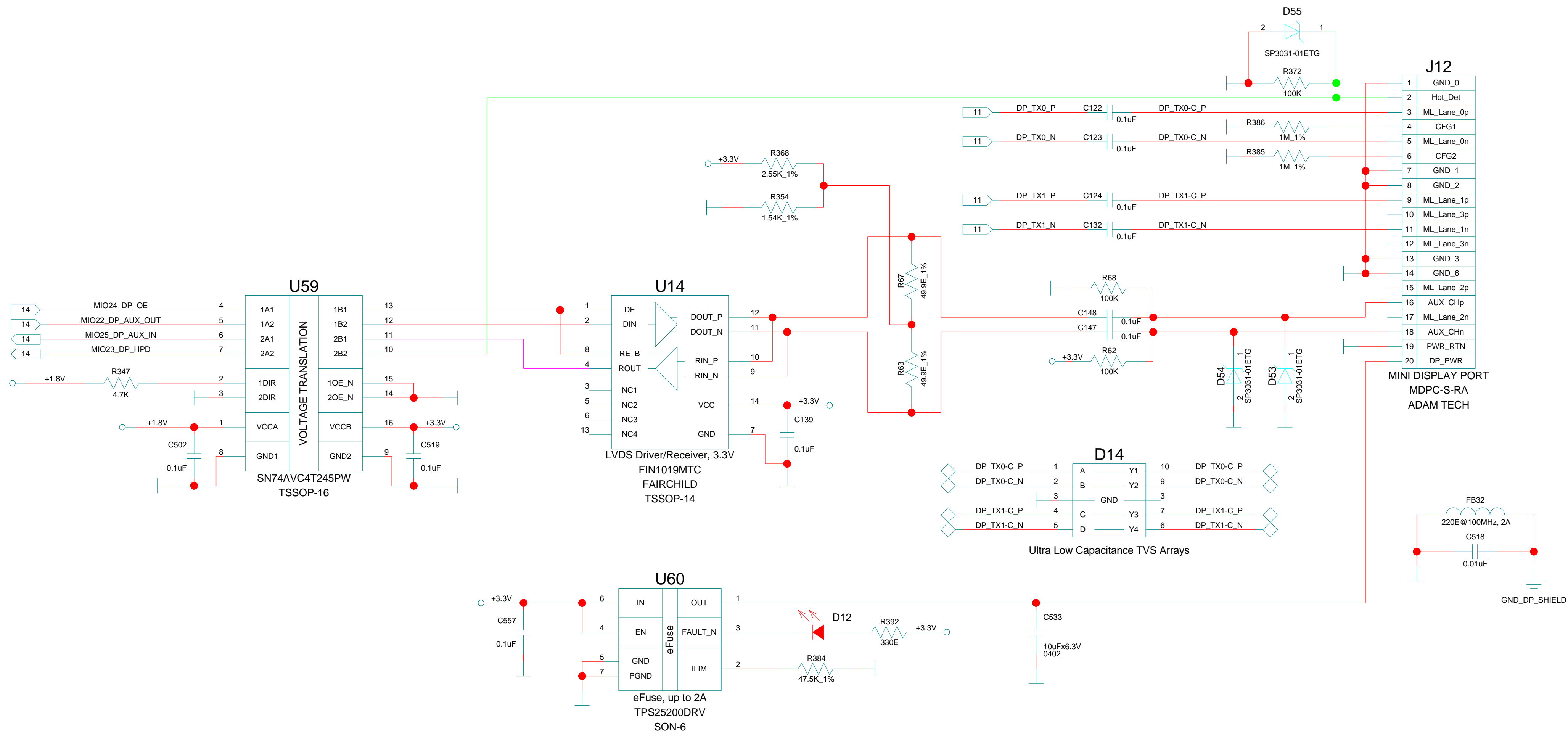
1	VBUS	USB 2.0	
2	DN		
3	DP		
4	ID		
5	GND1		USB 3.0
6	STDB_SSTX_N		
7	STDB_SSTX_P		
8	GND2		
9	STDB_SSRX_N		
10	STDB_SSRX_P		
P1	PAD1	USB 3.0 Micro Connector, R/A ZX360D-B-10P(30) Hirose Electric Co Ltd Type B, SMD	
P2	PAD2		
P3	PAD3		
P4	PAD4		
P5	PAD5		
P6	PAD6		
C1	CAGE1		
C2	CAGE2		



HiTech Global Distribution, LLC. www.HiTechGlobal.com		PCB P/N: ASSY P/N:	
TITLE: HTG-ZRF2-XUP USB 30 Micro AB Slave			
SIZE C	DATE 19/11/2020:17:44	DWG. NO.	REV 1.1
DESIGNED BY: IVI		SHEET 30 OF 49	



HiTech Global Distribution, LLC. www.HiTechGlobal.com		PCB P/N: ASSY P/N:	
TITLE: HTG-ZRF2-XUP Ethernet 1Gbit			
SIZE C	DATE 26/11/2020:16:57	DWG. NO.	REV 1.1
DESIGNED BY: IVI		SHEET 31 OF 49	

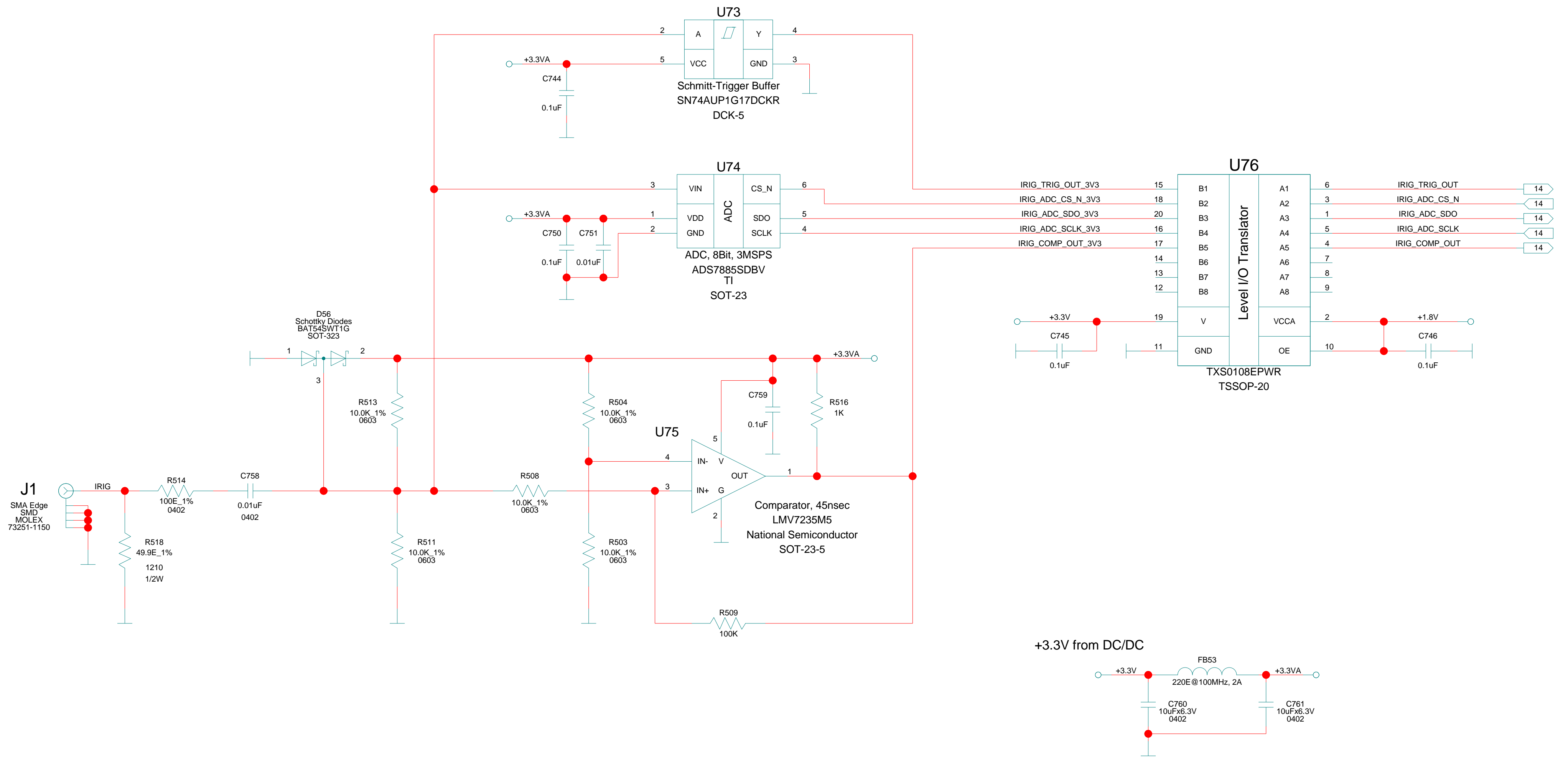


J12

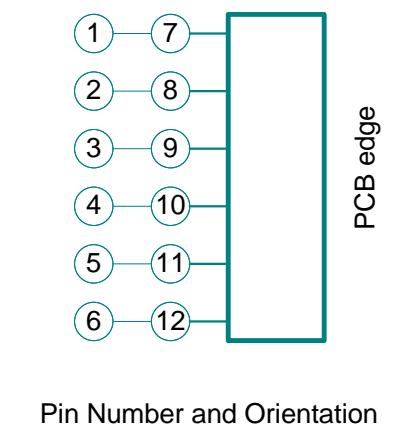
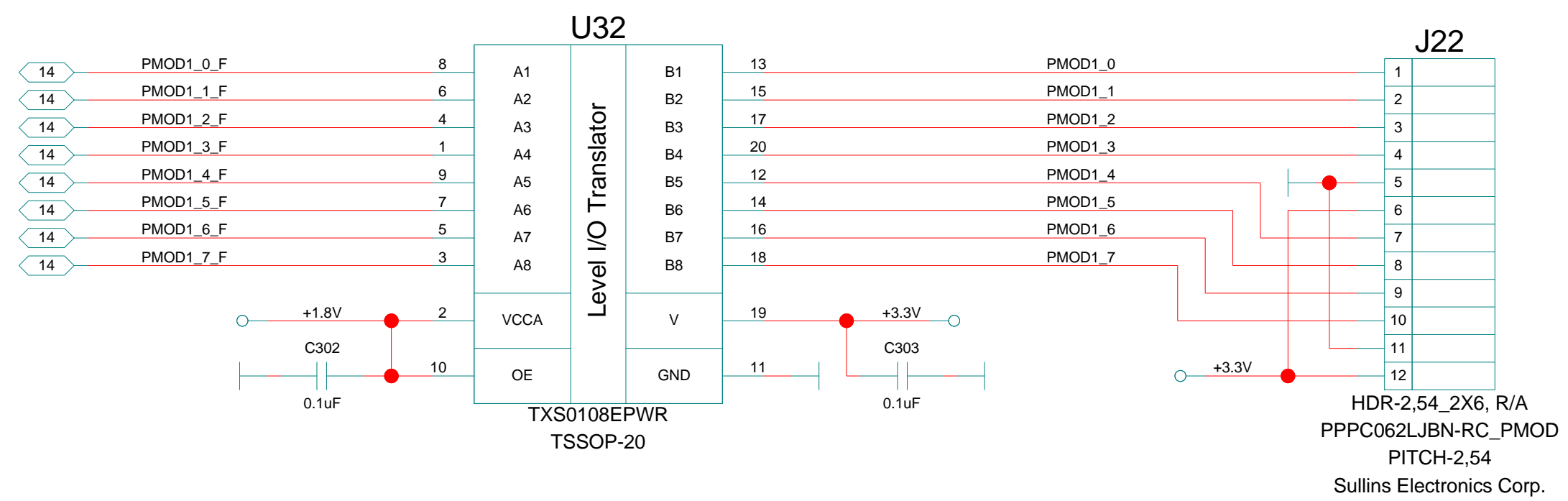
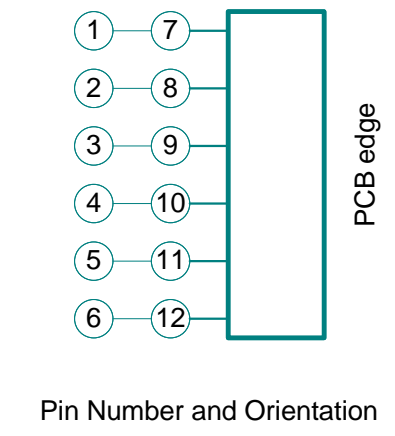
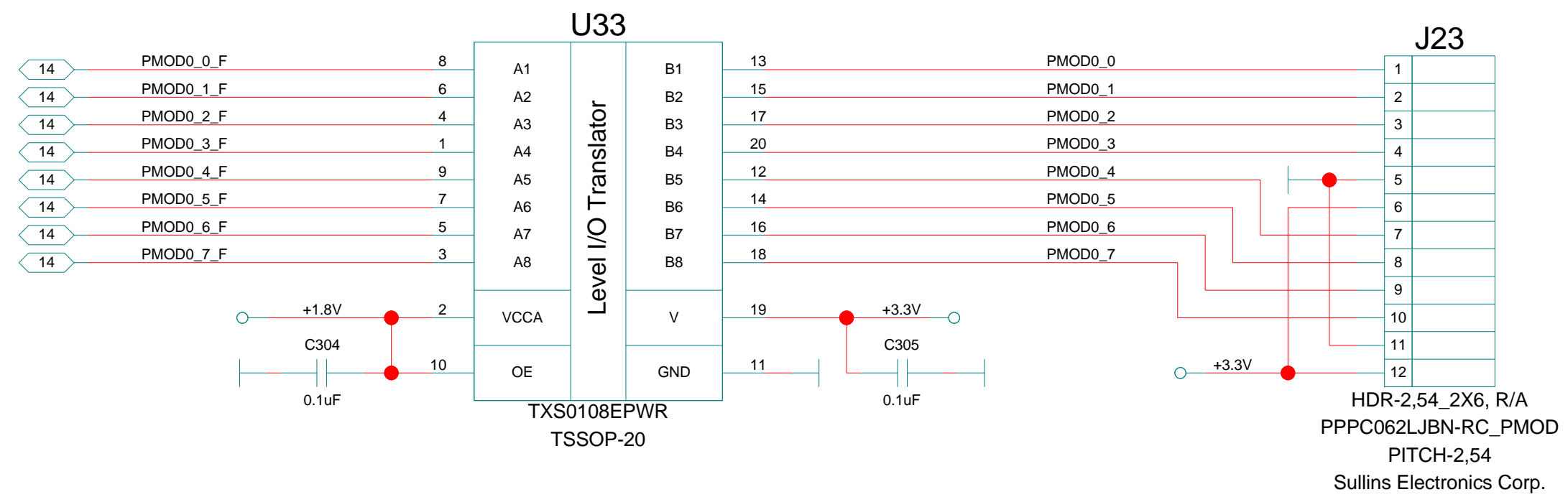
1	GND_0
2	Hot_Det
3	ML_Lane_0p
4	CFG1
5	ML_Lane_0n
6	CFG2
7	GND_1
8	GND_2
9	ML_Lane_1p
10	ML_Lane_3p
11	ML_Lane_1n
12	ML_Lane_3n
13	GND_3
14	GND_6
15	ML_Lane_2p
16	AUX_CHp
17	ML_Lane_2n
18	AUX_CHn
19	PWR_RTn
20	DP_PWR

MINI DISPLAY PORT
MDPC-S-RA
ADAM TECH

HiTech Global Distribution, LLC. www.HiTechGlobal.com		PCB P/N: ASSY P/N:	
TITLE: HTG-ZRF2-XUP Display Port			
SIZE C	DATE 19/11/2020:17:44	DWG. NO.	REV 1.1
DESIGNED BY: IVI		SHEET 32 OF 49	



HiTech Global Distribution, LLC. www.HiTechGlobal.com		PCB P/N: ASSY P/N:	
TITLE: HTG-ZRF2-XUP PPS			
SIZE C	DATE 19/11/2020:17:44	DWG. NO.	REV 1.1
DESIGNED BY: IVI		SHEET 33 OF 49	



HiTech Global Distribution, LLC. www.HiTechGlobal.com		PCB P/N: ASSY P/N:	
TITLE: HTG-ZRF2-XUP PMOD Headers			
SIZE C	DATE 19/11/2020:17:44	DWG. NO.	REV 1.1
DESIGNED BY: IVI		SHEET 34 OF 49	

D

C

B

A

4

3

2

1

D

C

B

A

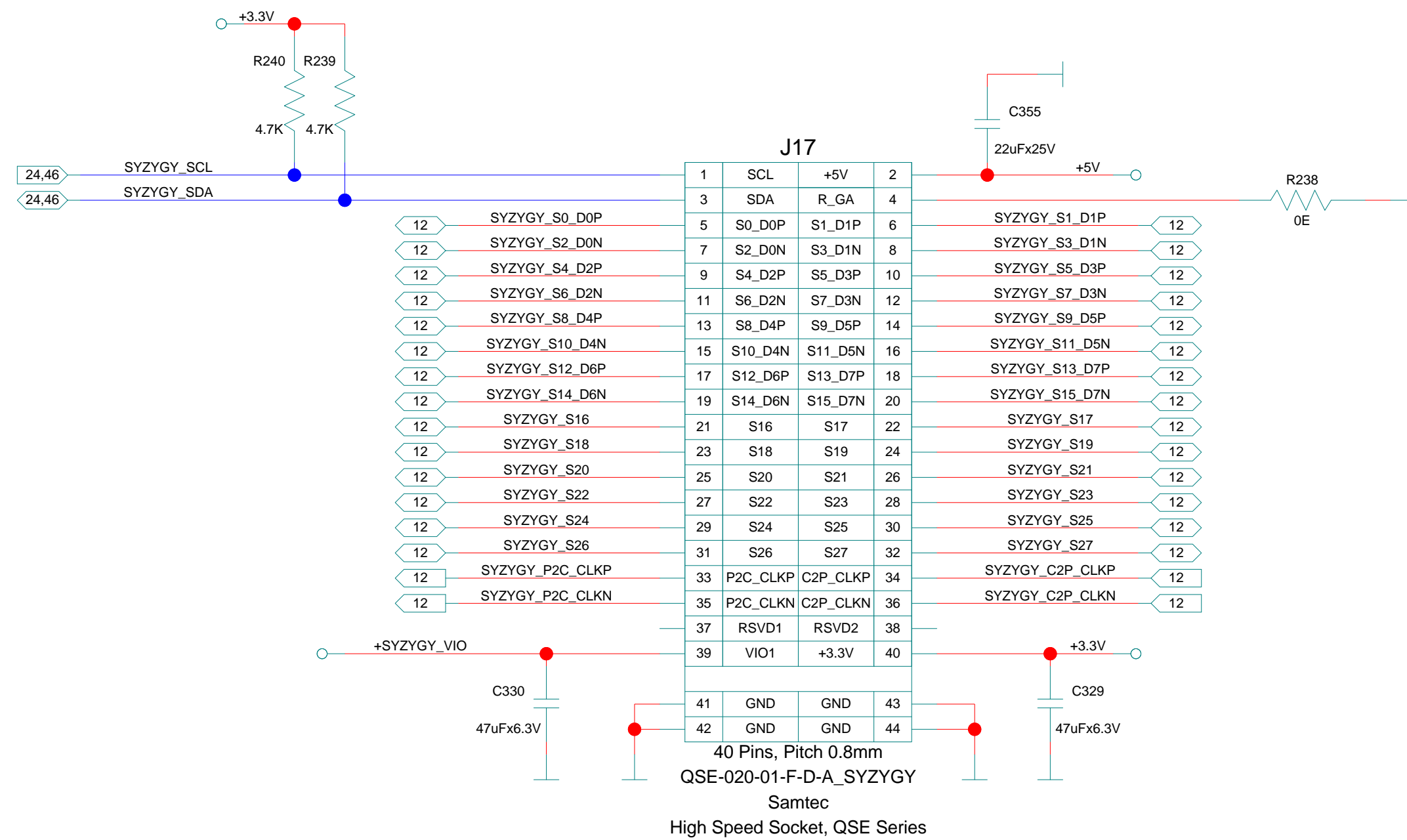
4

3

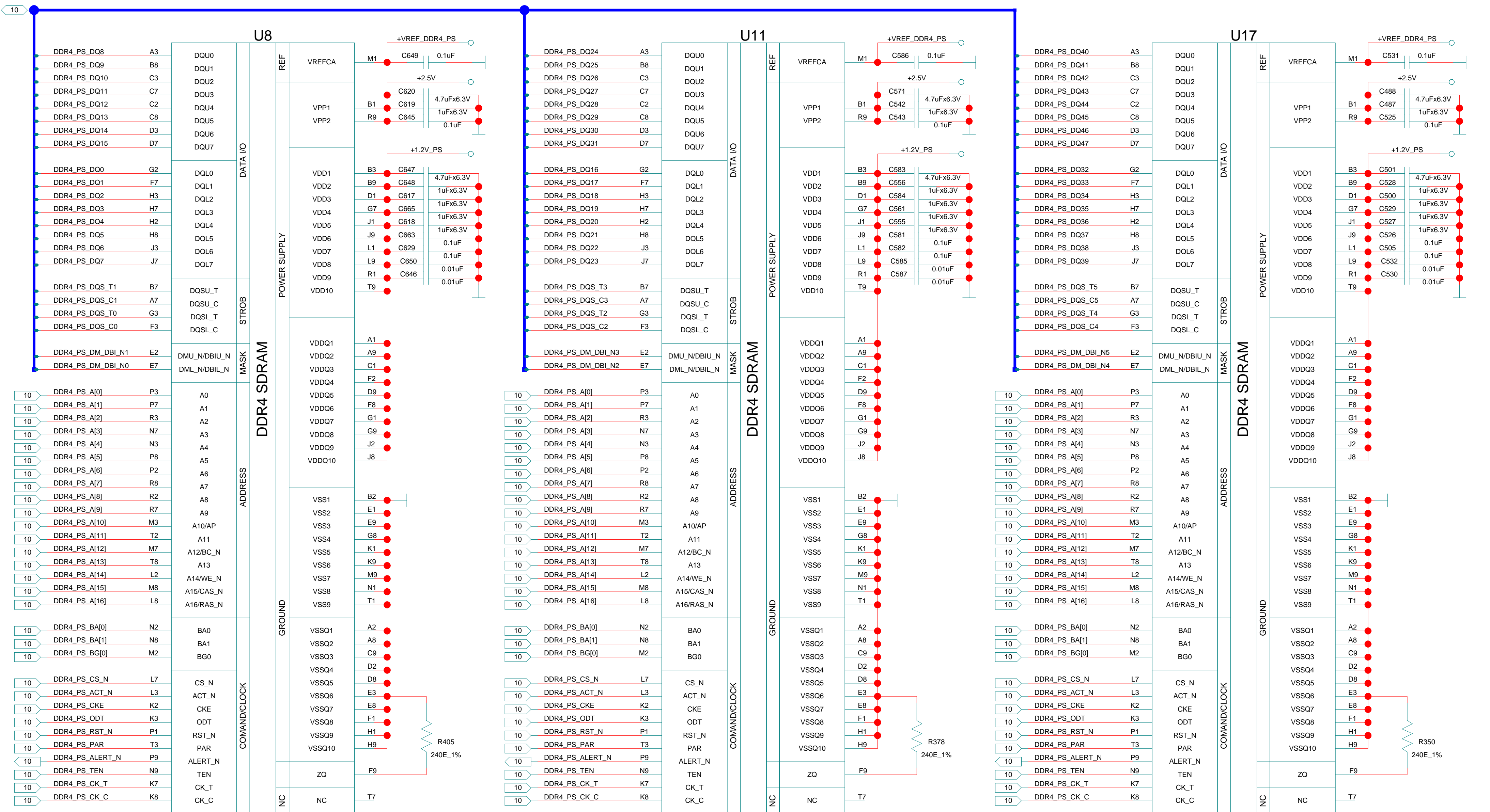
2

1

IVILab



HiTech Global Distribution, LLC. www.HiTechGlobal.com		PCB P/N: ASSY P/N:	
TITLE: HTG-ZRF2-XUP SYZYG Header			
SIZE C	DATE 19/11/2020:17:44	DWG. NO.	REV 1.1
DESIGNED BY: IVI		SHEET 35 OF 49	

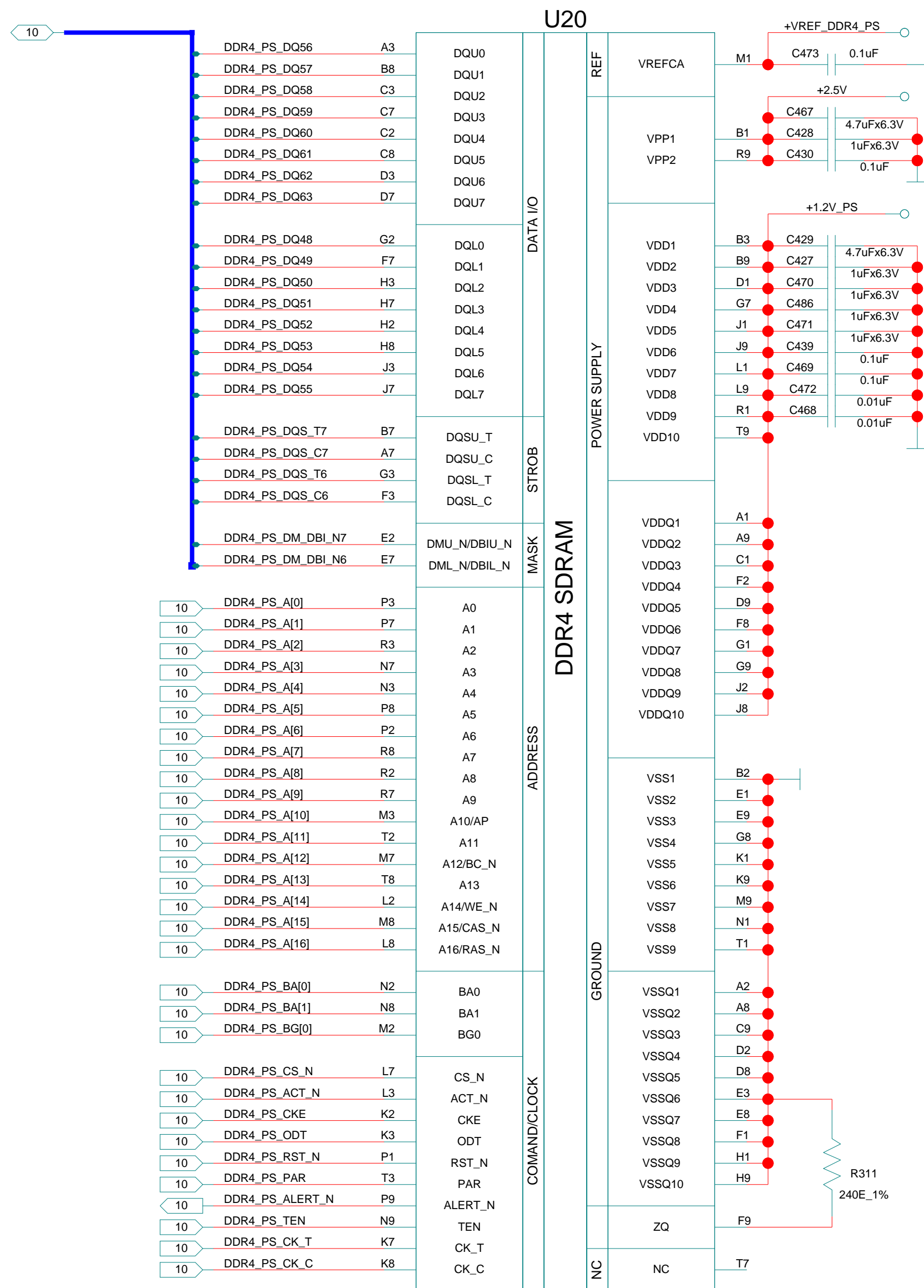


DDR4-3200, 16Gb x16
MT40A1G16RC-062E:B
FBGA-96 (10mm x 13mm)
MICRON

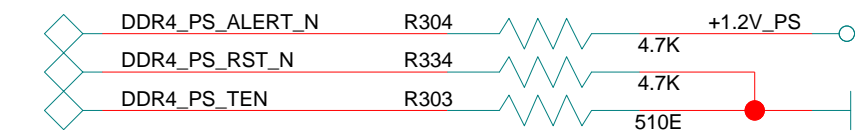
DDR4-3200, 16Gb x16
MT40A1G16RC-062E:B
FBGA-96 (10mm x 13mm)
MICRON

DDR4-3200, 16Gb x16
MT40A1G16RC-062E:B
FBGA-96 (10mm x 13mm)
MICRON

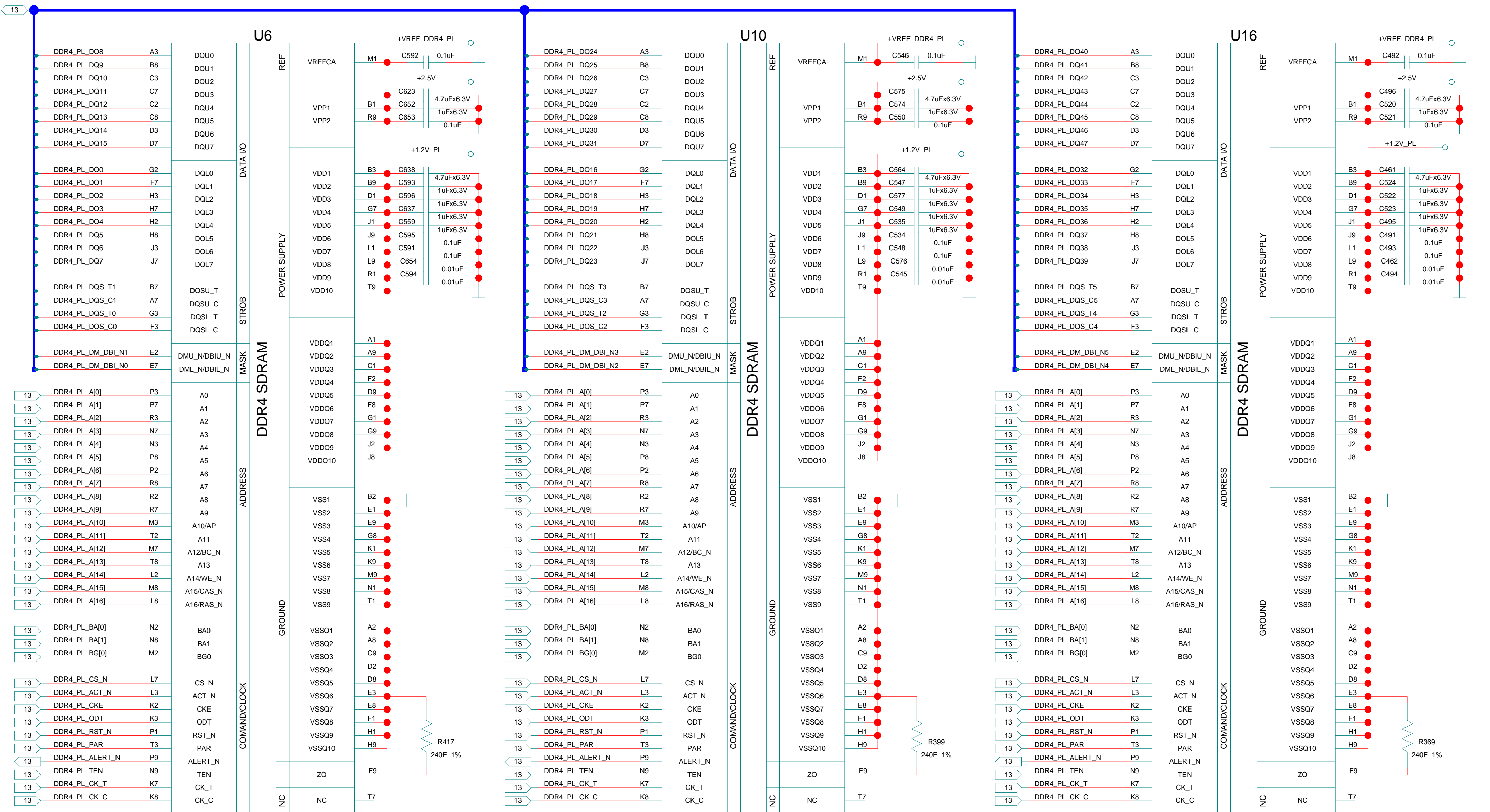
HiTech Global Distribution, LLC. www.HiTechGlobal.com		PCB P/N: ASSY P/N:	
TITLE: HTG-ZRF2-XUP DDR4 PS Components 1-3			
SIZE C	DATE 19/11/2020:17:44	DWG. NO.	REV 1.1
DESIGNED BY: IVI		SHEET 36 OF 49	



DDR4-3200, 16Gb x16
 MT40A1G16RC-062E:B
 FBGA-96 (10mm x 13mm)
 MICRON



HiTech Global Distribution, LLC. www.HiTechGlobal.com		PCB P/N: ASSY P/N:	
TITLE: HTG-ZRF2-XUP			
DDR4 PS Components 4			
SIZE C	DATE 19/11/2020:17:44	DWG. NO.	REV 1.1
DESIGNED BY: IVI		SHEET 37 OF 49	

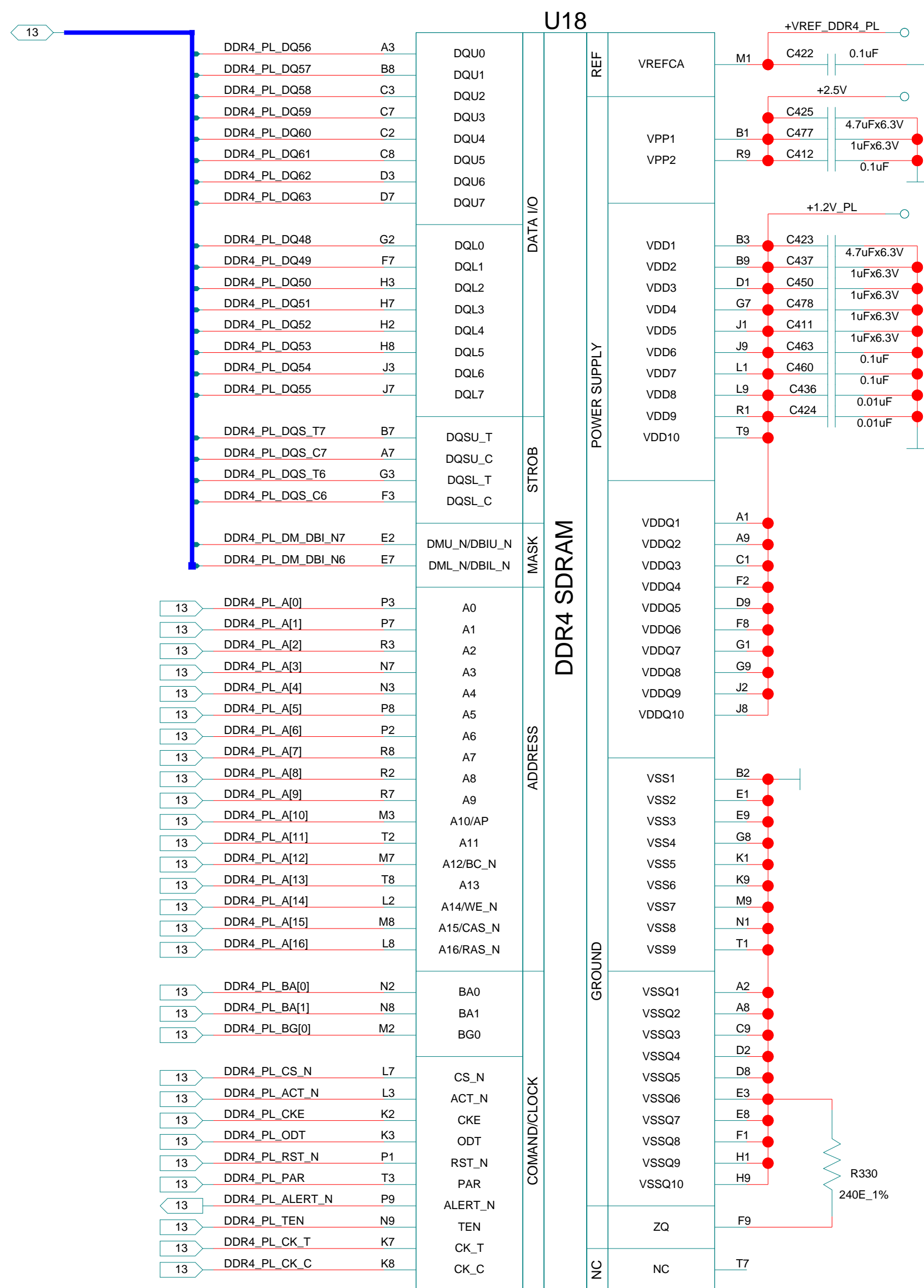


DDR4-3200, 16Gb x16
 MT40A1G16RC-062E:B
 FBGA-96 (10mm x 13mm)
 MICRON

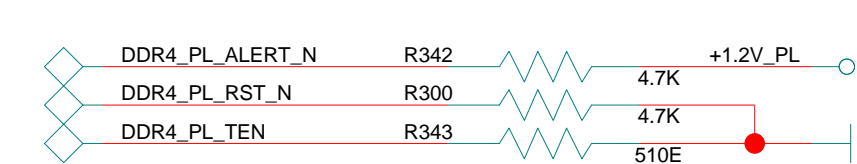
DDR4-3200, 16Gb x16
 MT40A1G16RC-062E:B
 FBGA-96 (10mm x 13mm)
 MICRON

DDR4-3200, 16Gb x16
 MT40A1G16RC-062E:B
 FBGA-96 (10mm x 13mm)
 MICRON

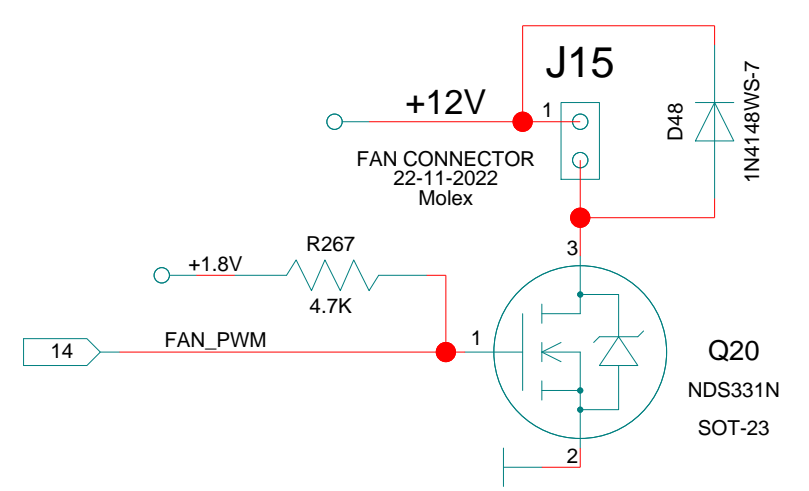
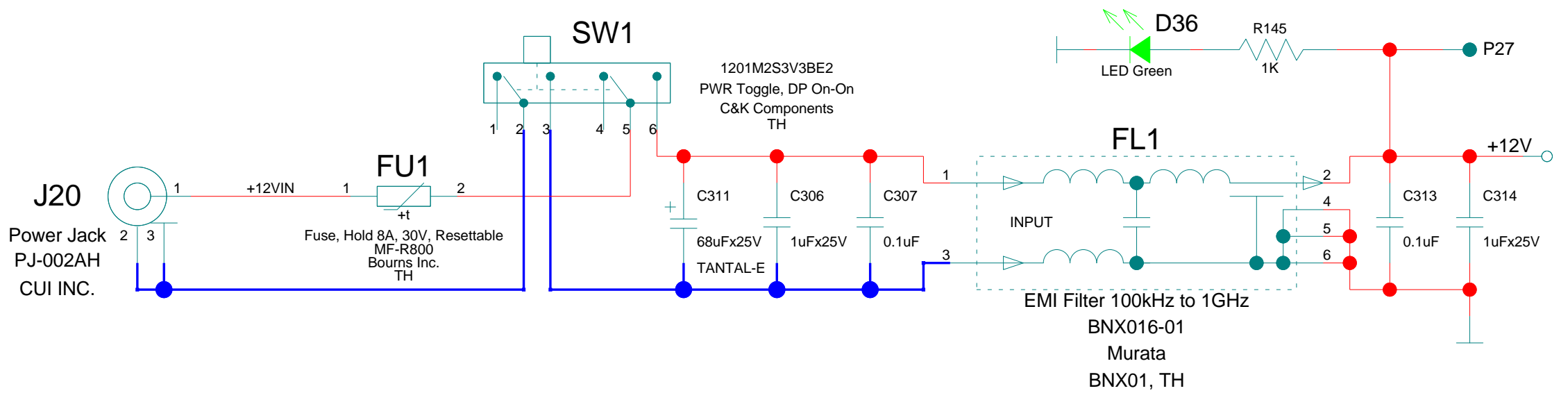
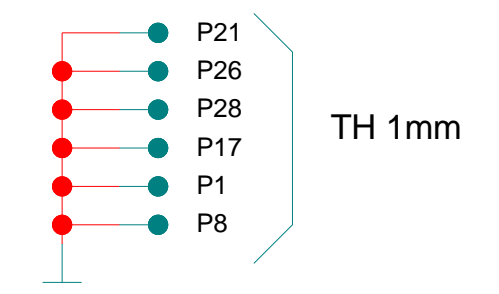
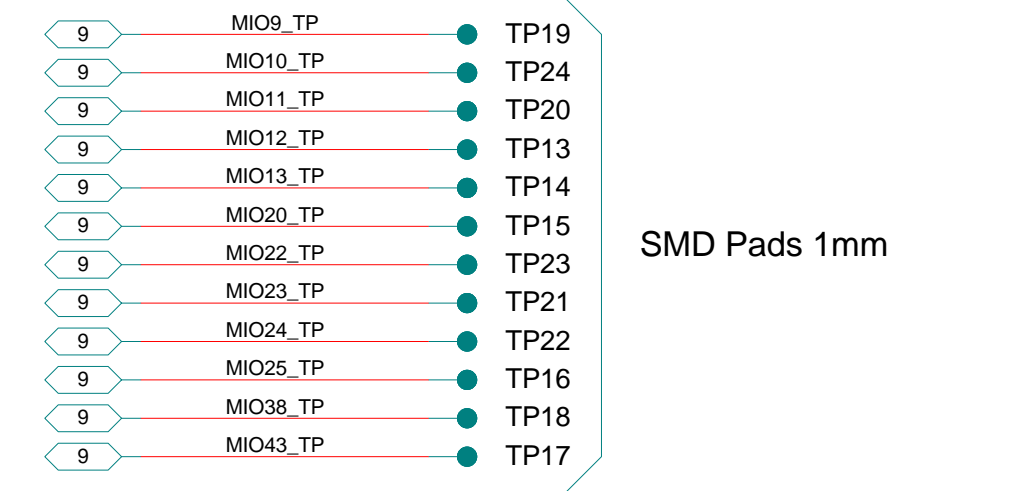
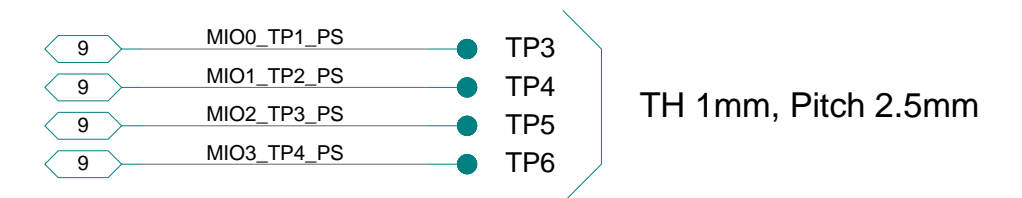
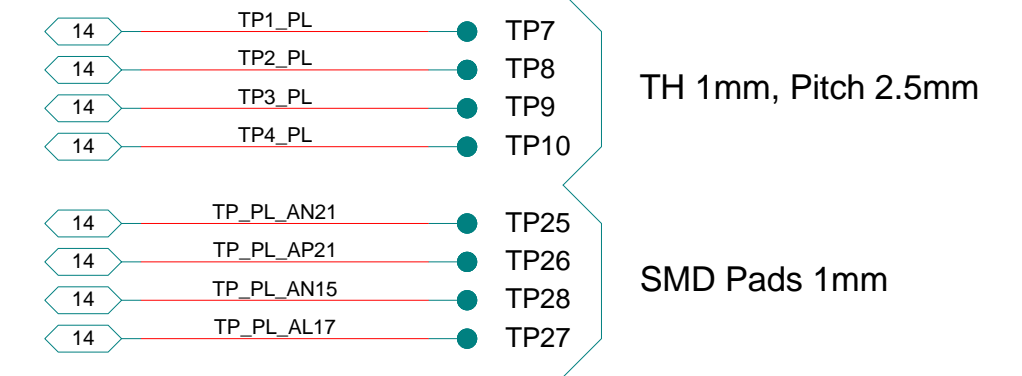
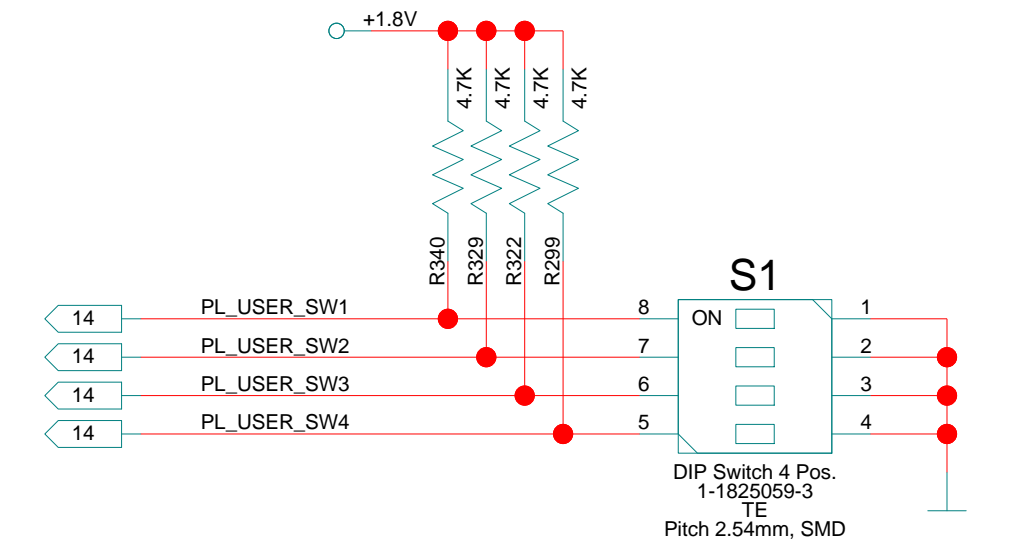
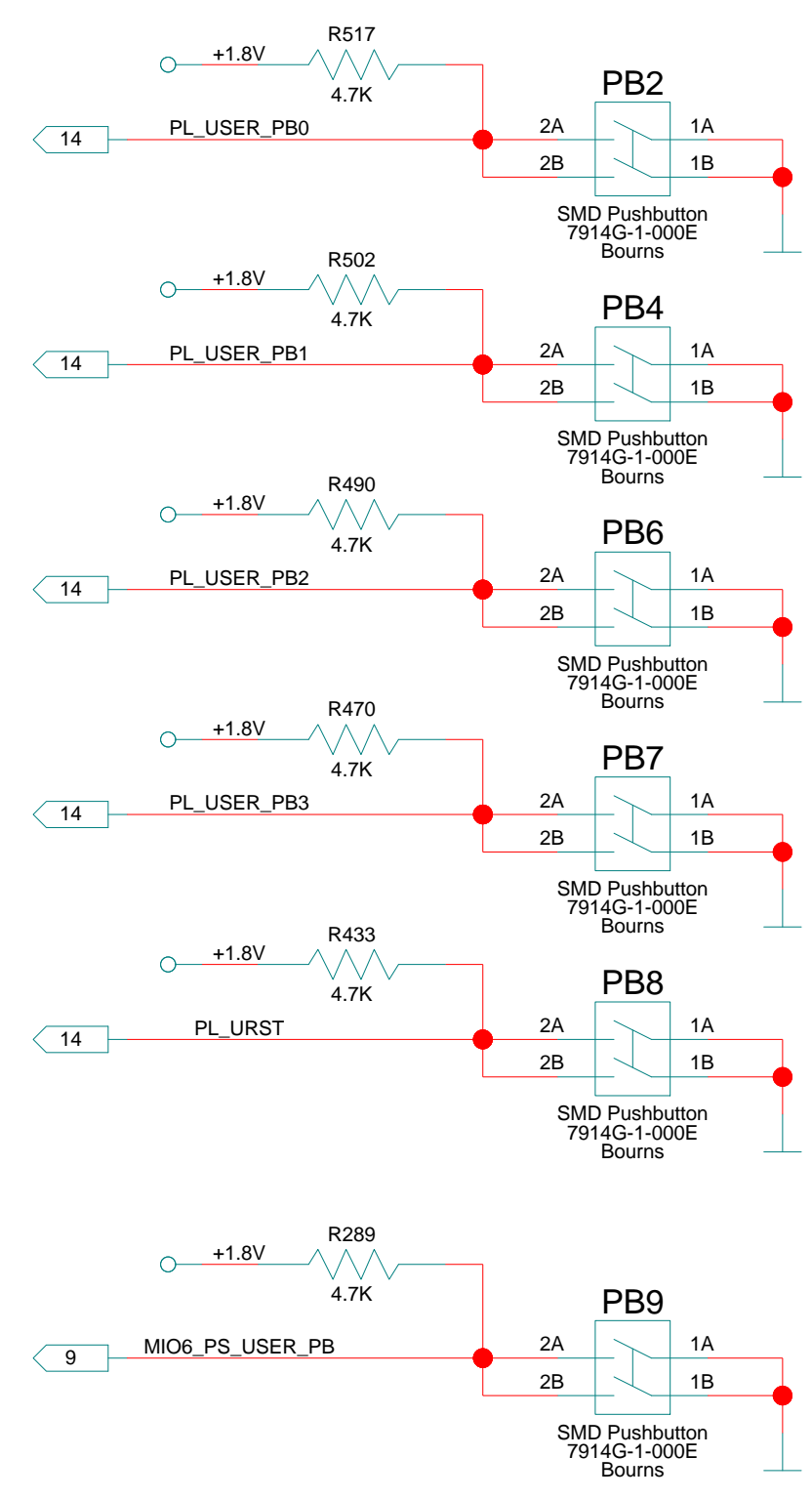
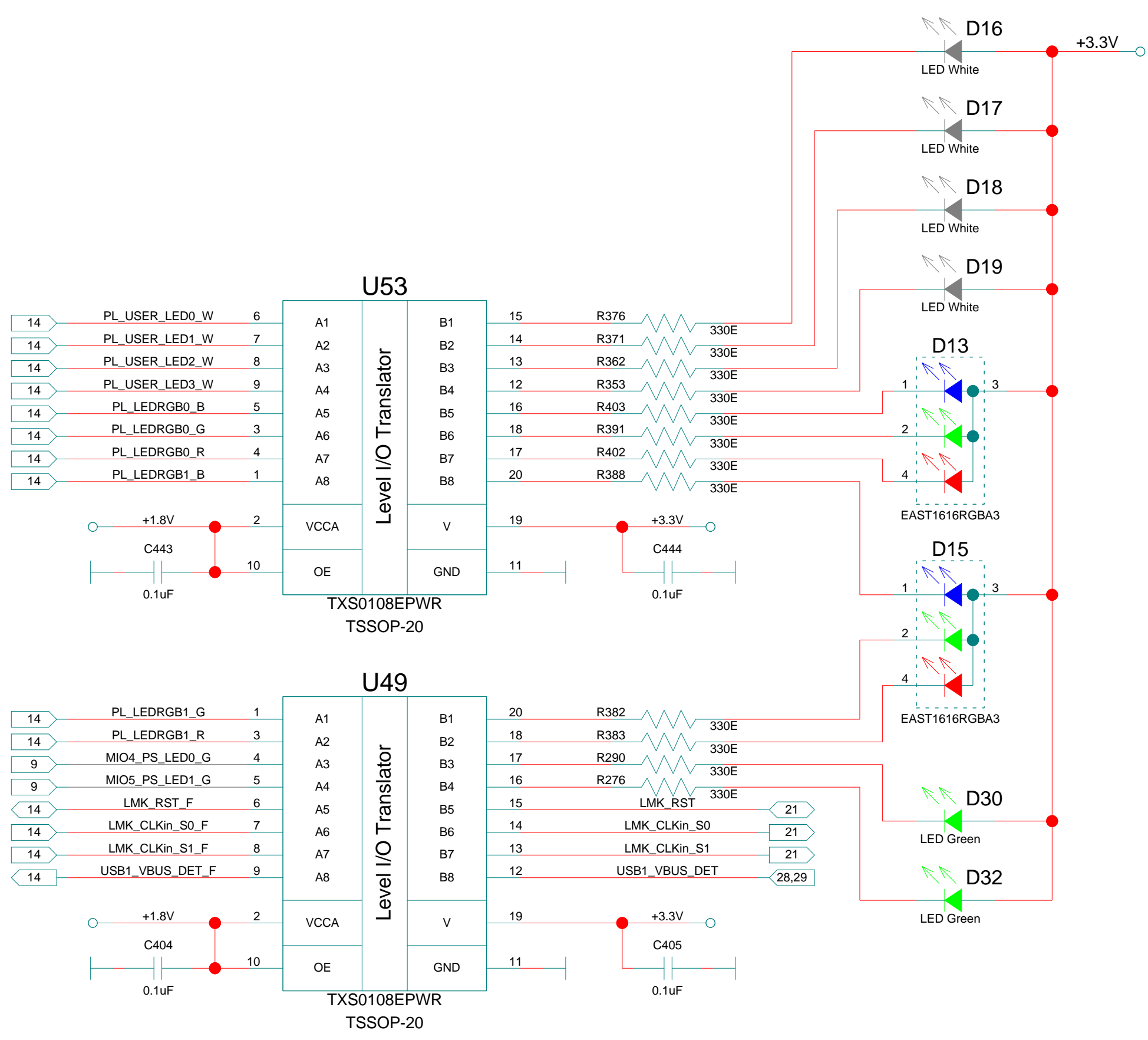
HiTech Global Distribution, LLC. www.HiTechGlobal.com		PCB P/N: ASSY P/N:	
TITLE: HTG-ZRF2-XUP DDR4 PL Components 1-3			
SIZE C	DATE 19/11/2020:17:44	DWG. NO.	REV 1.1
DESIGNED BY: IVI		SHEET 38 OF 49	



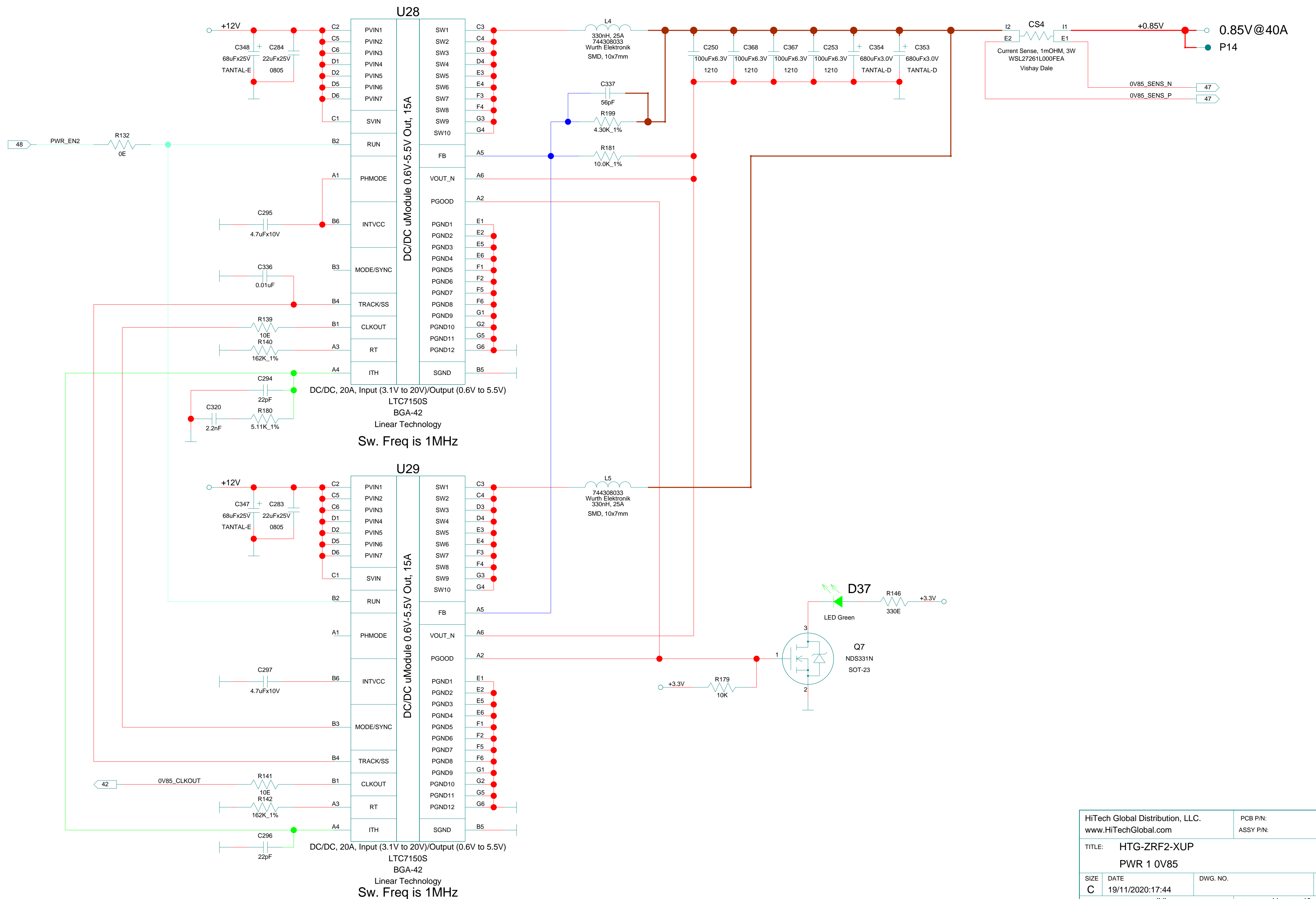
DDR4-3200, 16Gb x16
 MT40A1G16RC-062E:B
 FBGA-96 (10mm x 13mm)
 MICRON



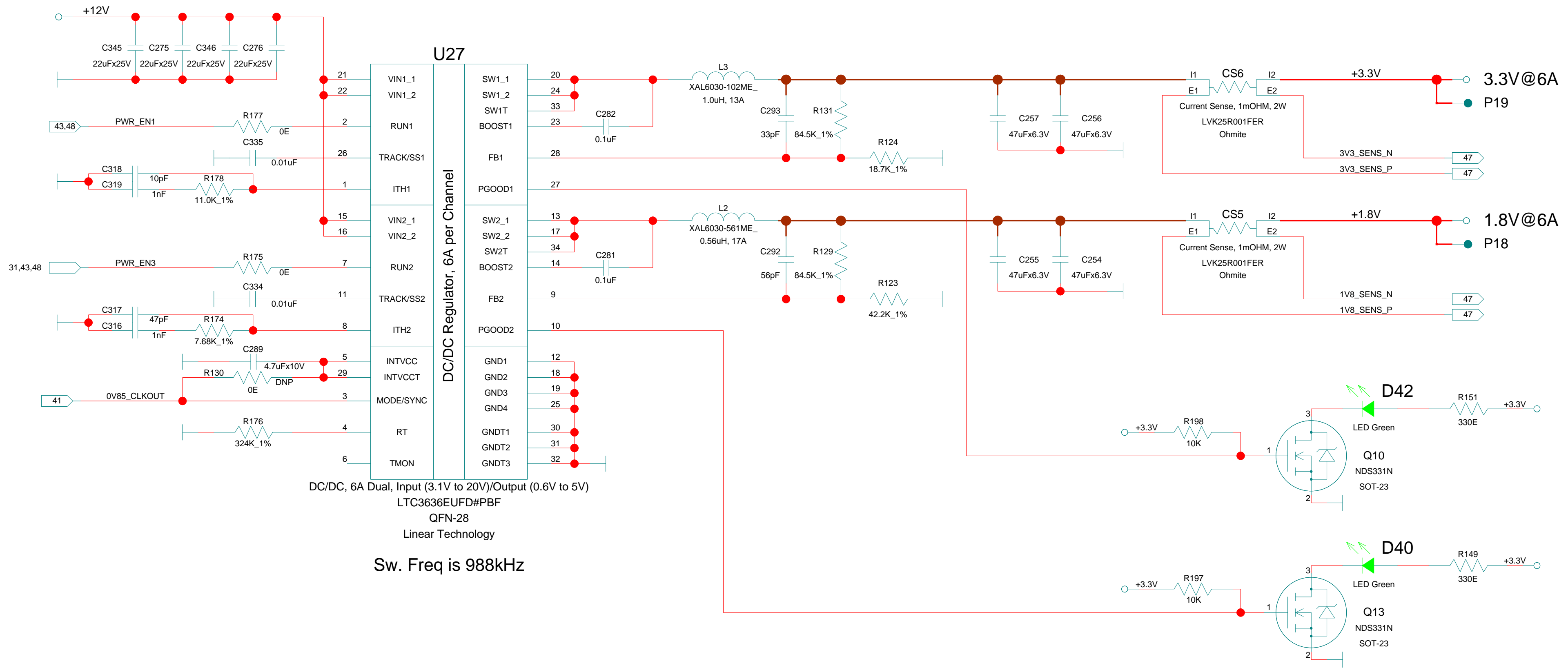
HiTech Global Distribution, LLC. www.HiTechGlobal.com		PCB P/N: ASSY P/N:	
TITLE: HTG-ZRF2-XUP DDR4 PL Component 4			
SIZE C	DATE 19/11/2020:17:44	DWG. NO.	REV 1.1
DESIGNED BY: IVI		SHEET 39 OF 49	



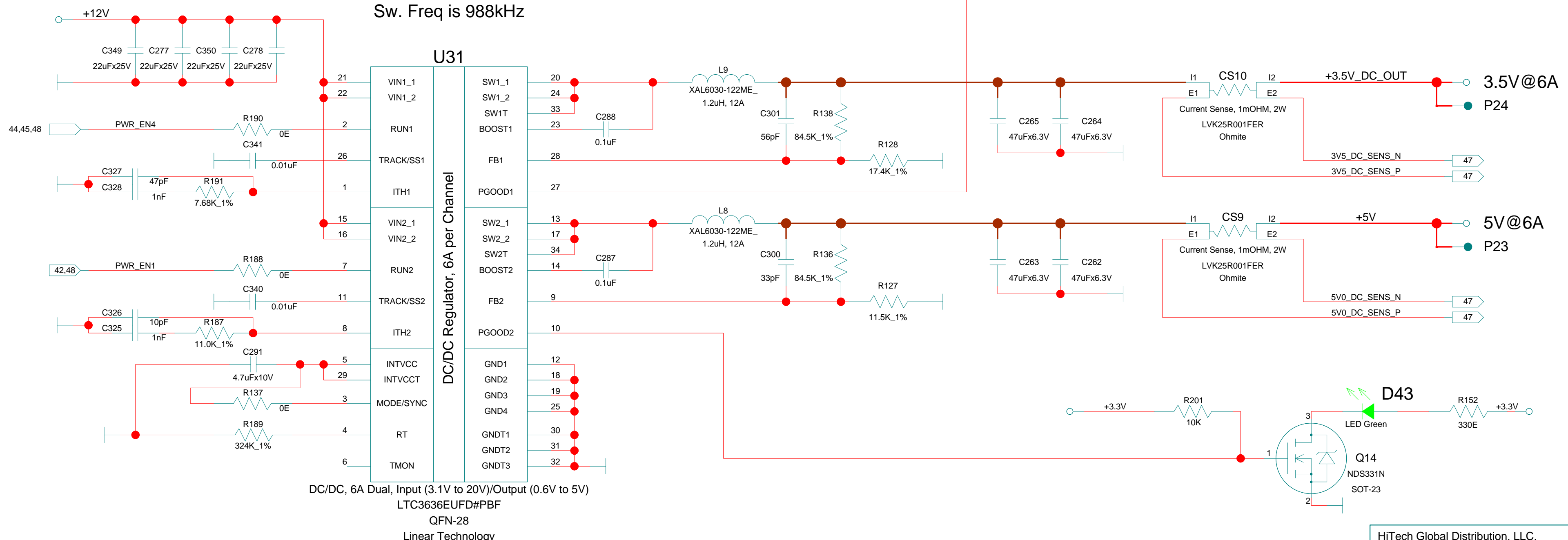
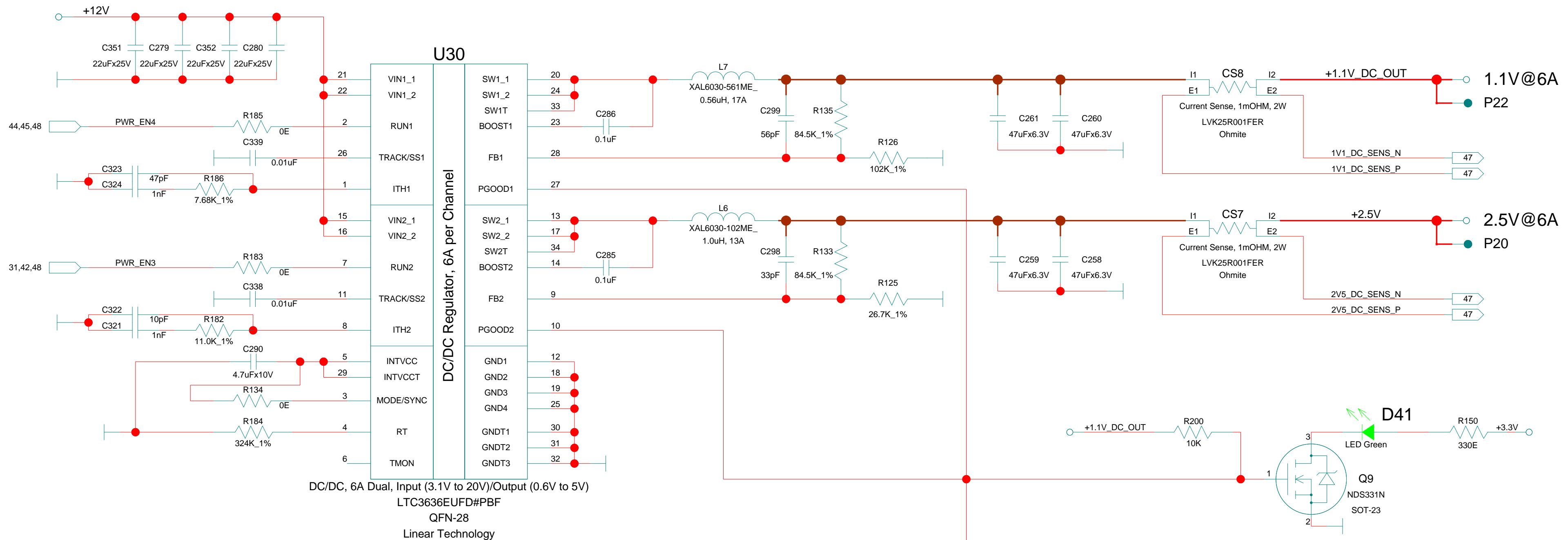
HiTech Global Distribution, LLC. www.HiTechGlobal.com		PCB P/N: ASSY P/N:	
TITLE: HTG-ZRF2-XUP PWR IN USER APP			
SIZE C	DATE 19/11/2020:17:44	DWG. NO.	REV 1.1
DESIGNED BY: IVI		SHEET 40 OF 49	



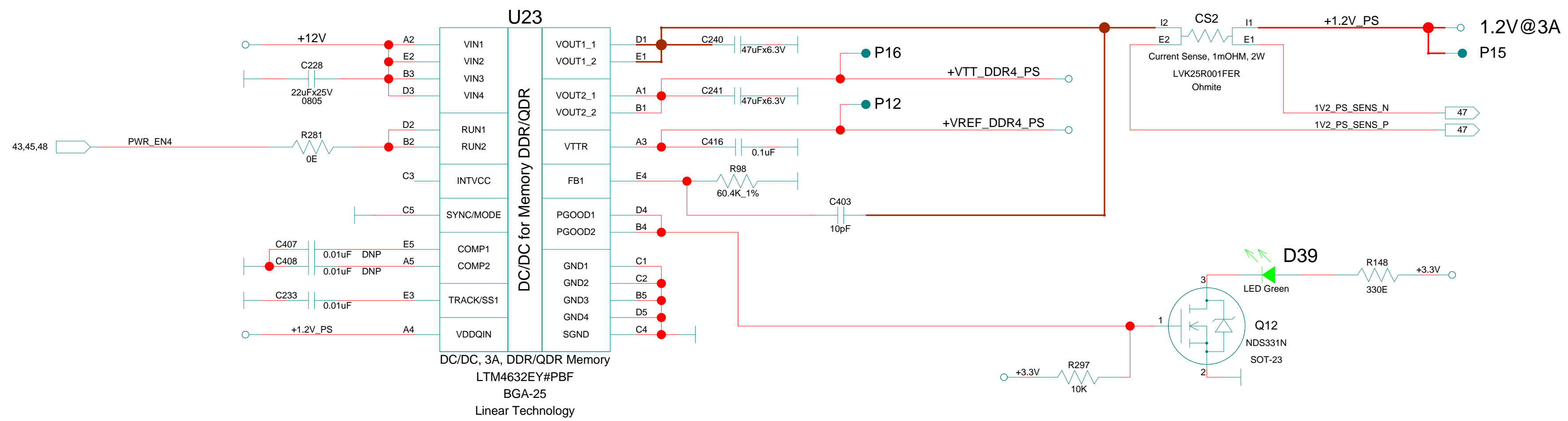
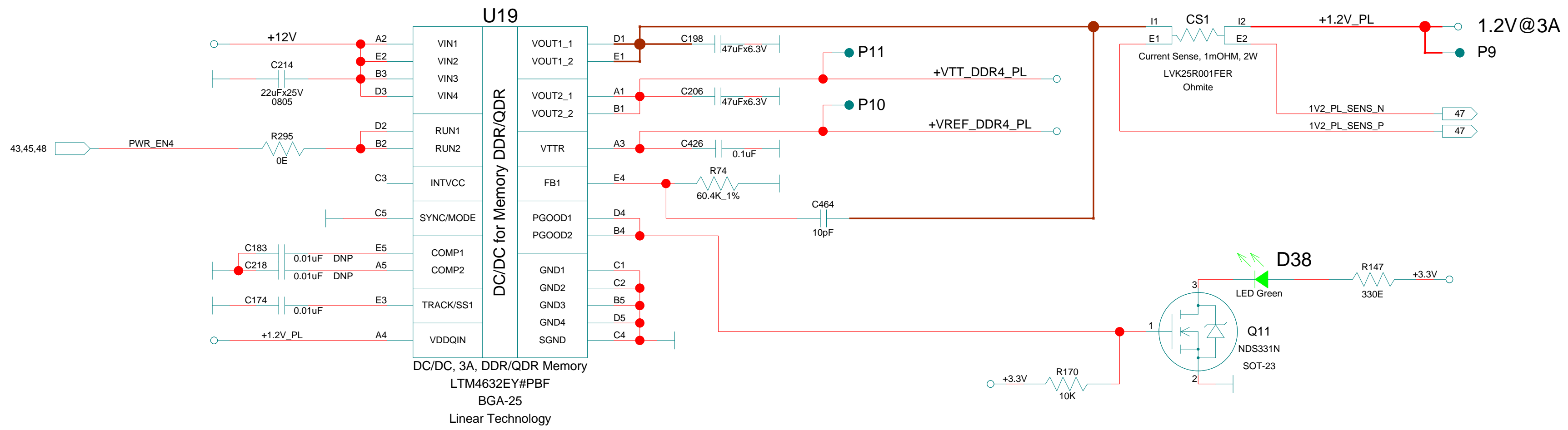
HiTech Global Distribution, LLC. www.HiTechGlobal.com		PCB P/N: ASSY P/N:	
TITLE: HTG-ZRF2-XUP PWR 1 0V85			
SIZE C	DATE 19/11/2020:17:44	DWG. NO.	REV 1.1
DESIGNED BY: IVI		SHEET 41 OF 49	



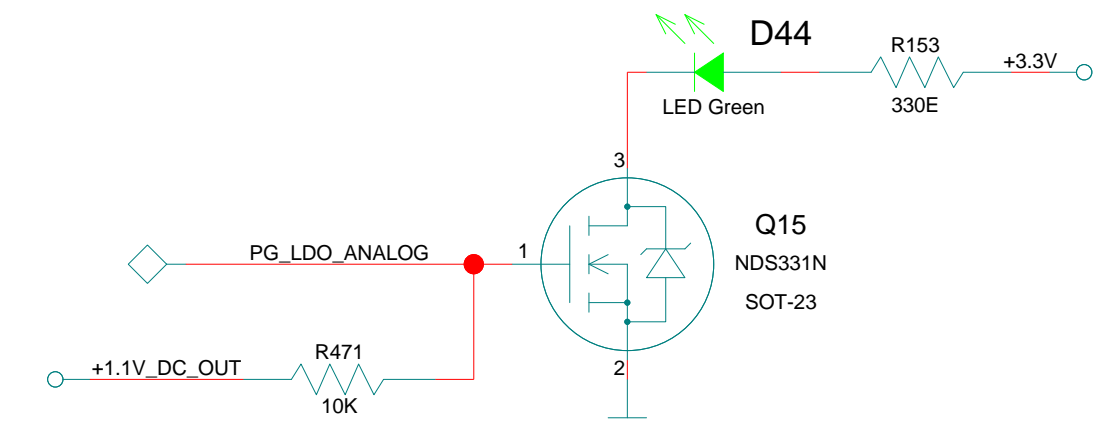
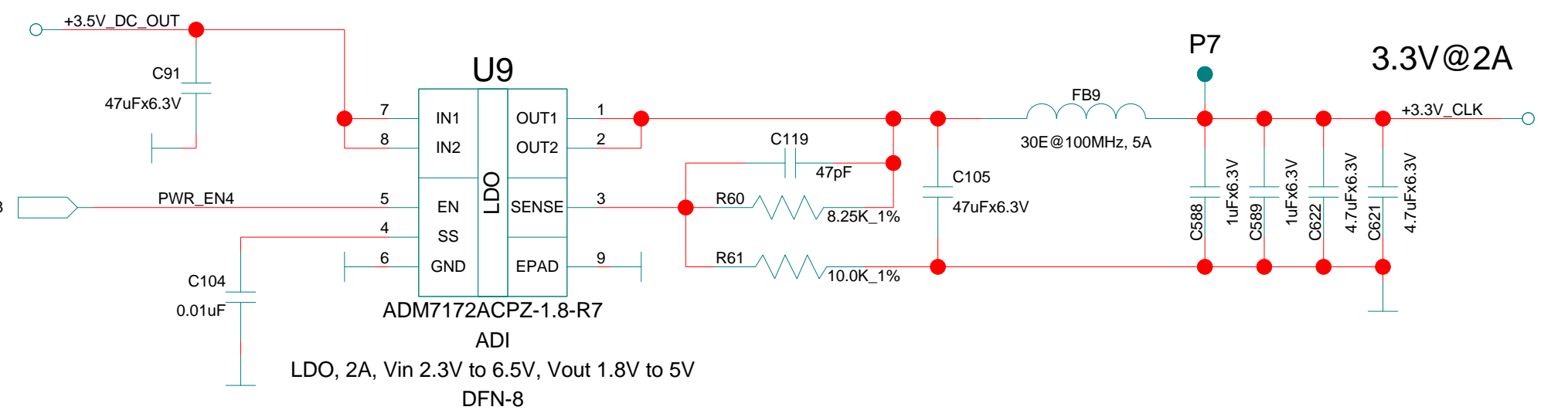
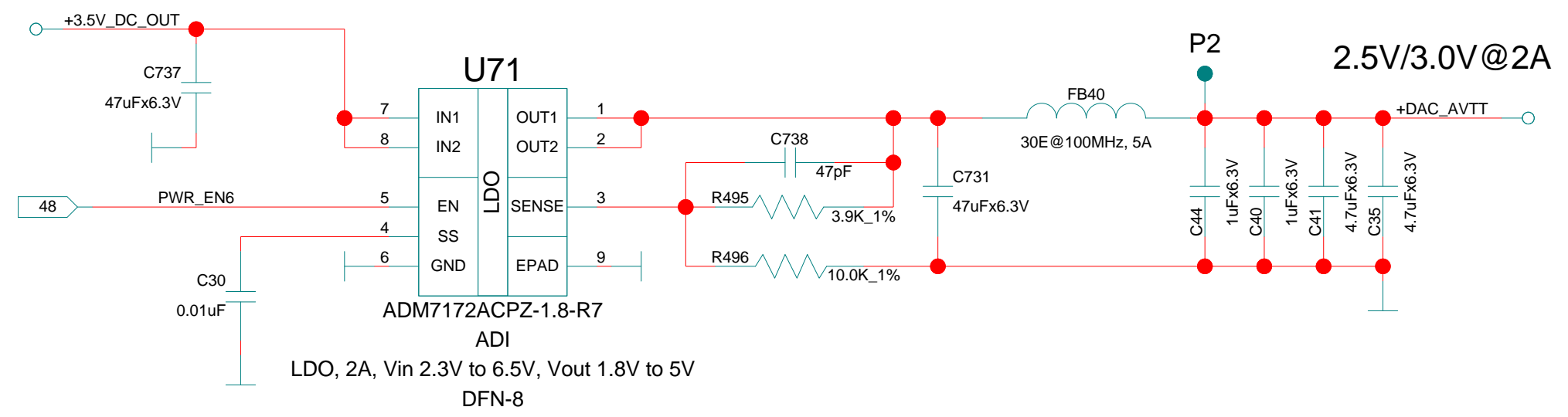
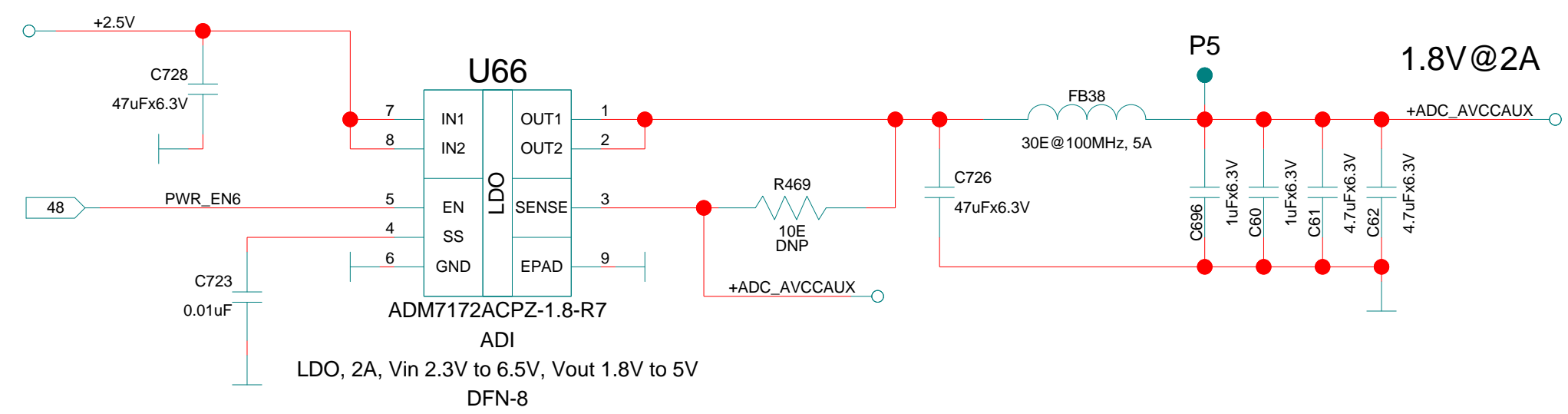
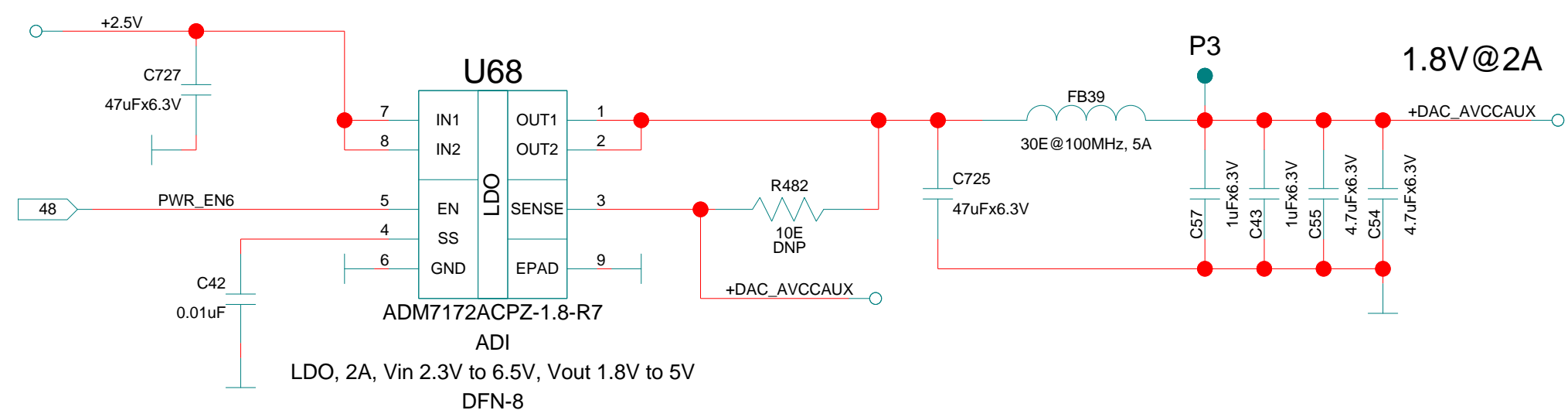
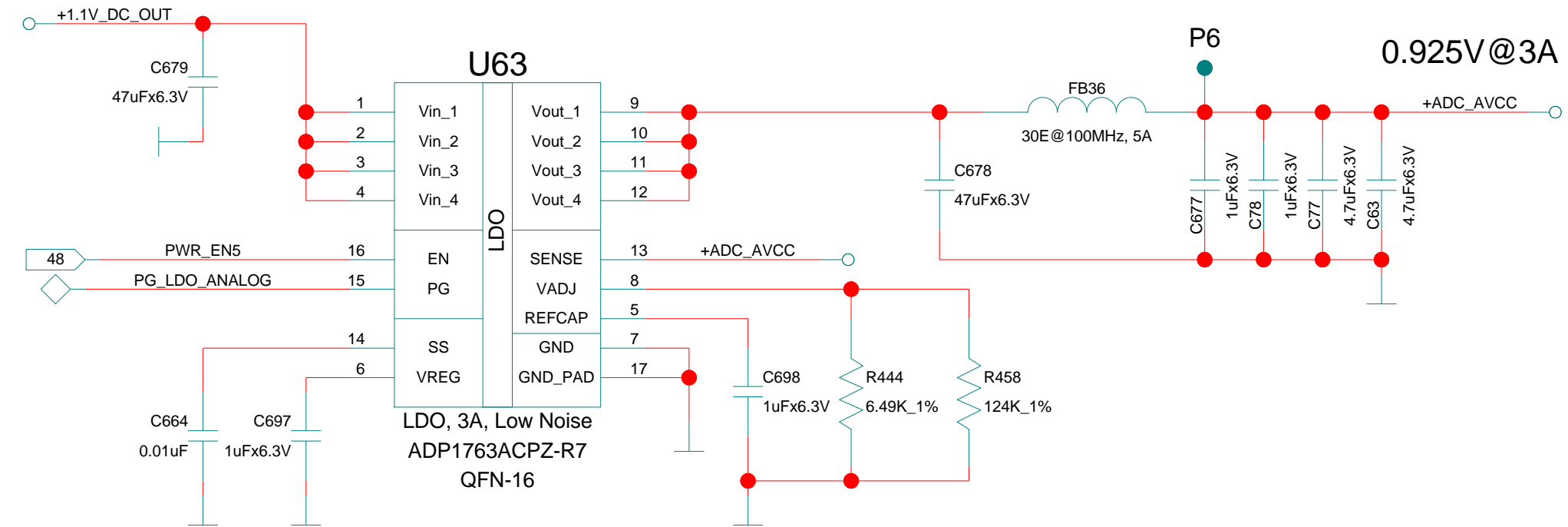
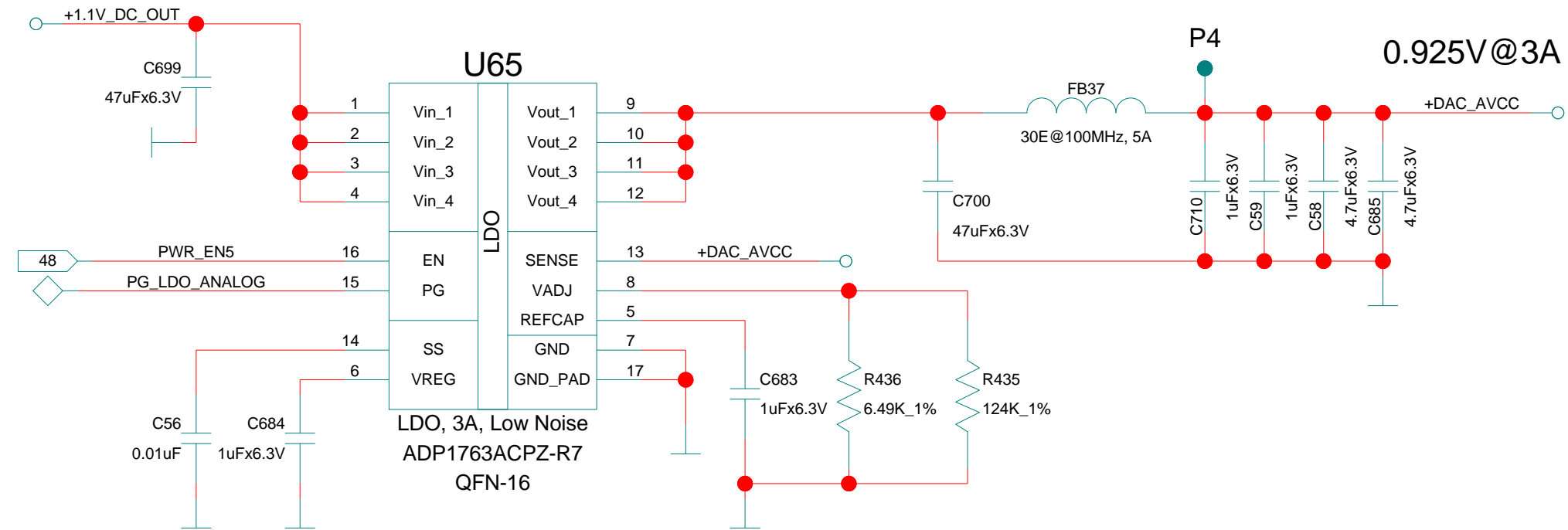
HiTech Global Distribution, LLC. www.HiTechGlobal.com		PCB P/N: ASSY P/N:	
TITLE: HTG-ZRF2-XUP PWR 2 1V8 and 3V3			
SIZE C	DATE 19/11/2020:17:44	DWG. NO.	REV 1.1
DESIGNED BY: IVI		SHEET 42 OF 49	



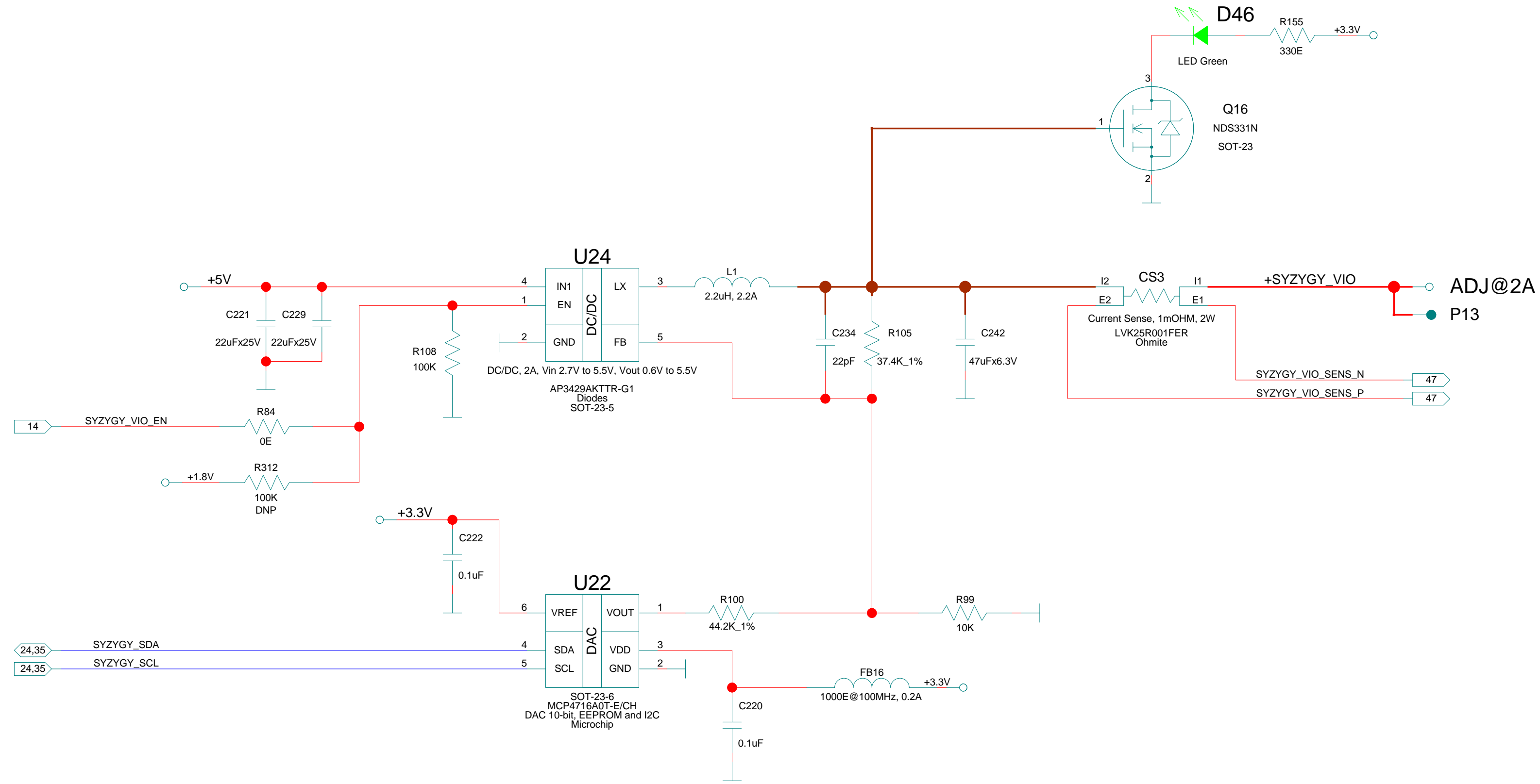
HiTech Global Distribution, LLC. www.HiTechGlobal.com		PCB P/N: ASSY P/N:	
TITLE: HTG-ZRF2-XUP PWR 3 RF DC and 5V			
SIZE C	DATE 19/11/2020:17:44	DWG. NO.	REV 1.1
DESIGNED BY: IVI		SHEET 43 OF 49	



HiTech Global Distribution, LLC. www.HiTechGlobal.com		PCB P/N: ASSY P/N:	
TITLE: HTG-ZRF2-XUP PWR 4 DDR4			
SIZE C	DATE 19/11/2020:17:44	DWG. NO.	REV 1.1
DESIGNED BY: IVI		SHEET 44 OF 49	

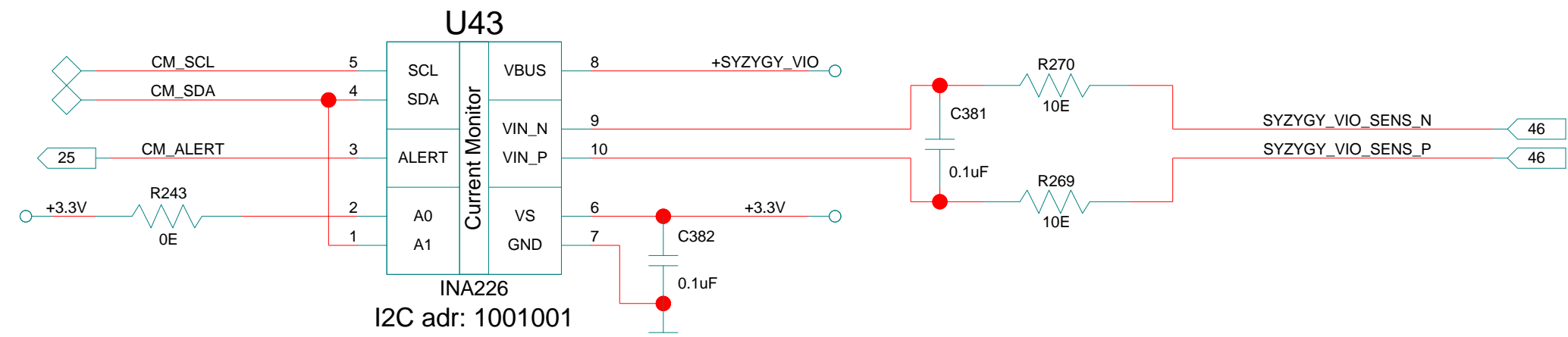
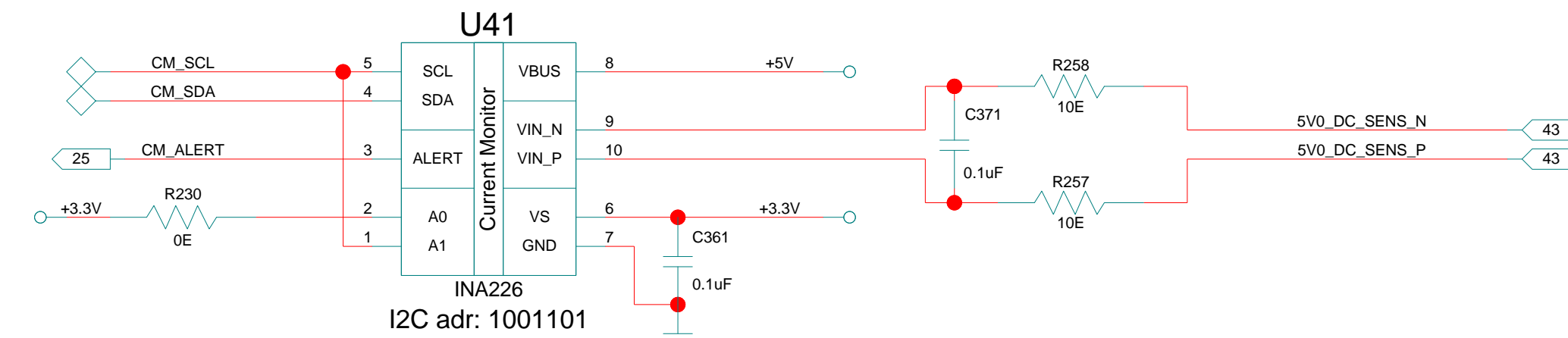
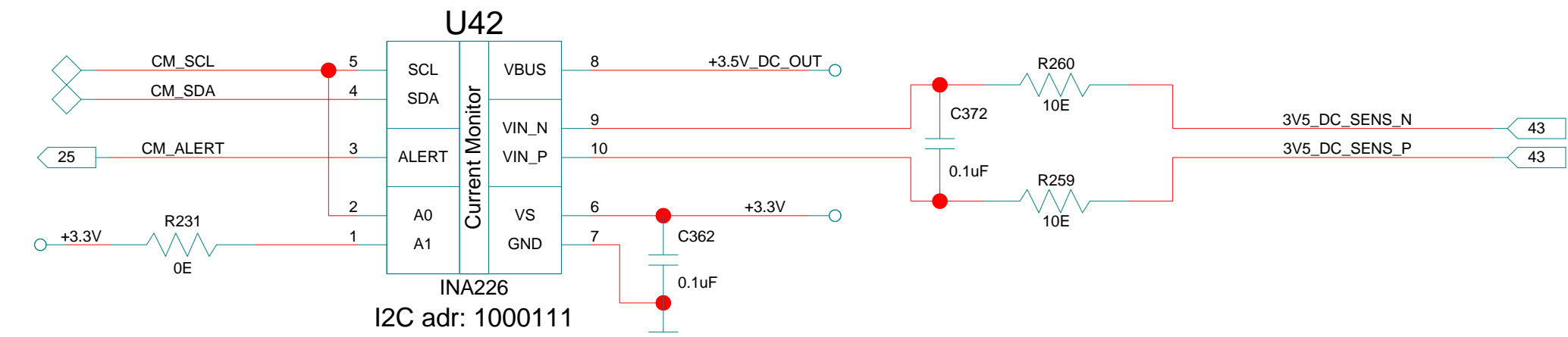
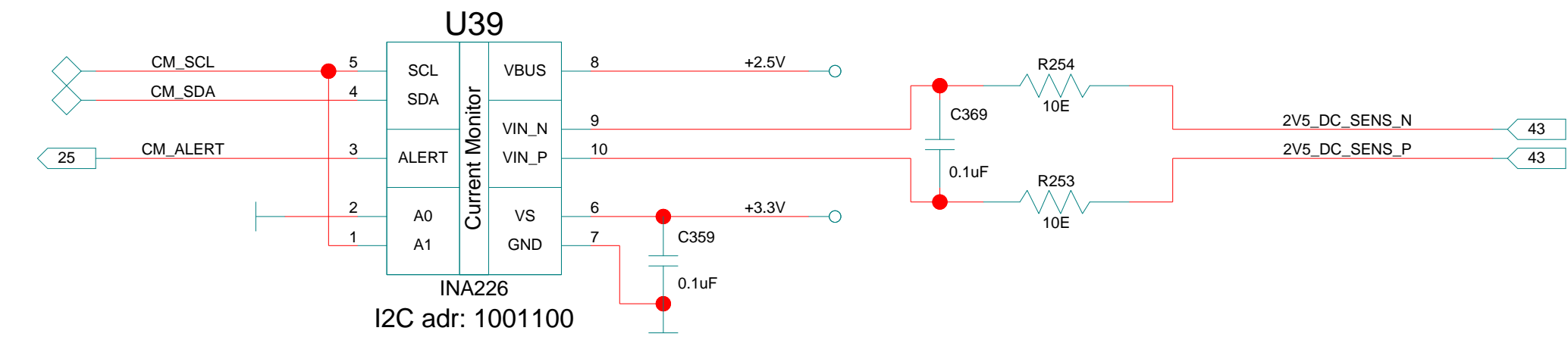
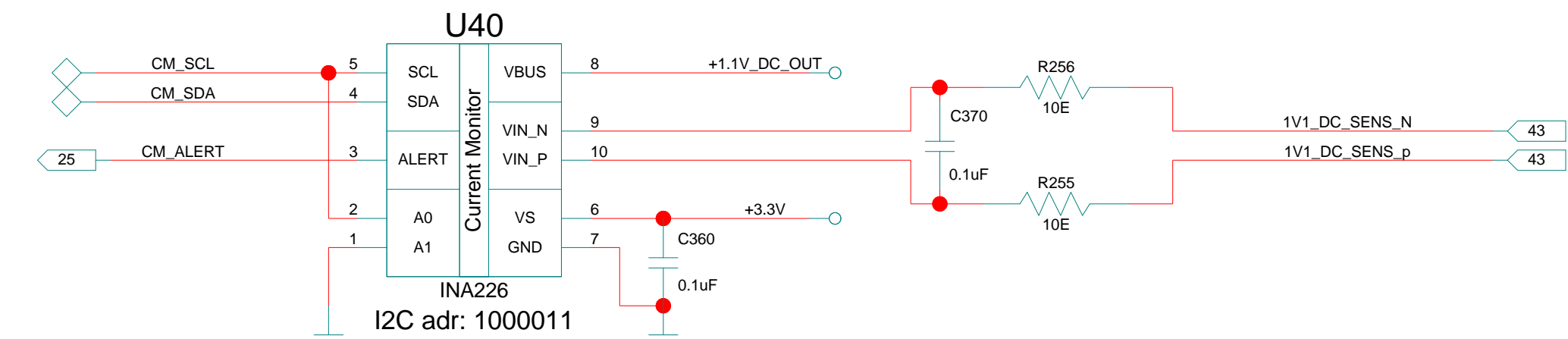
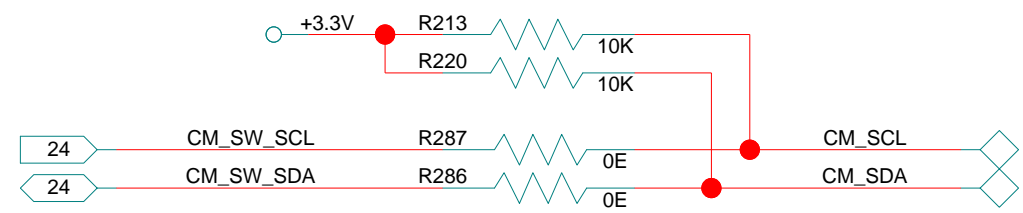
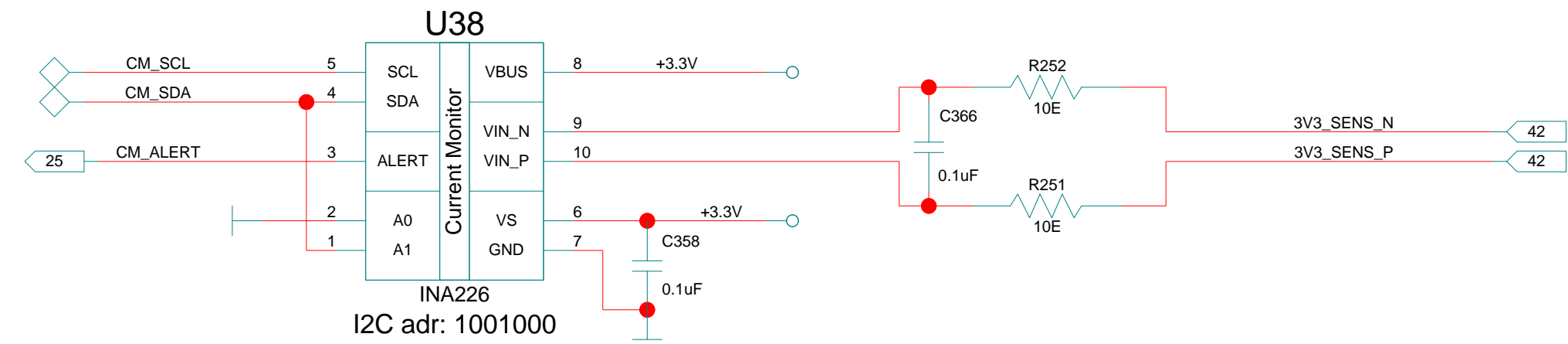
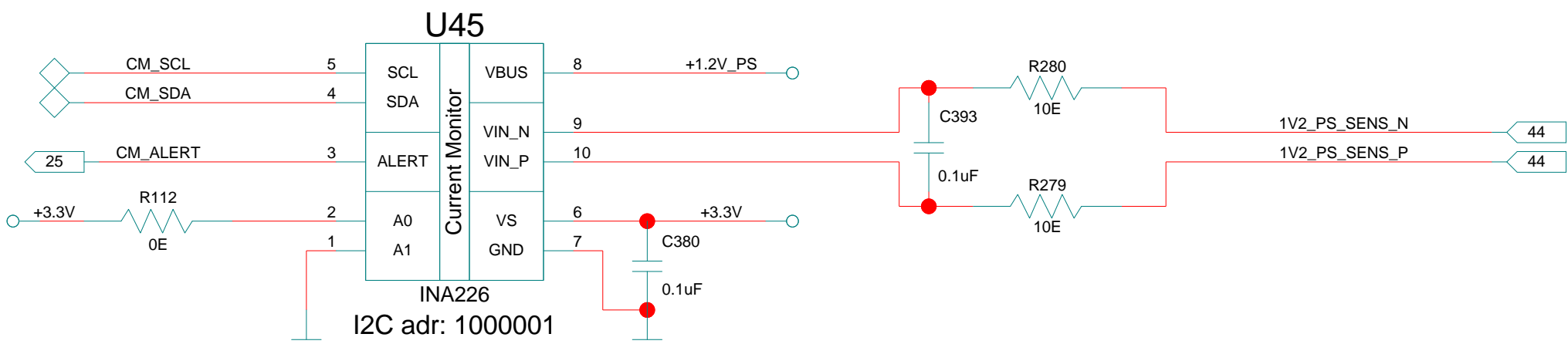
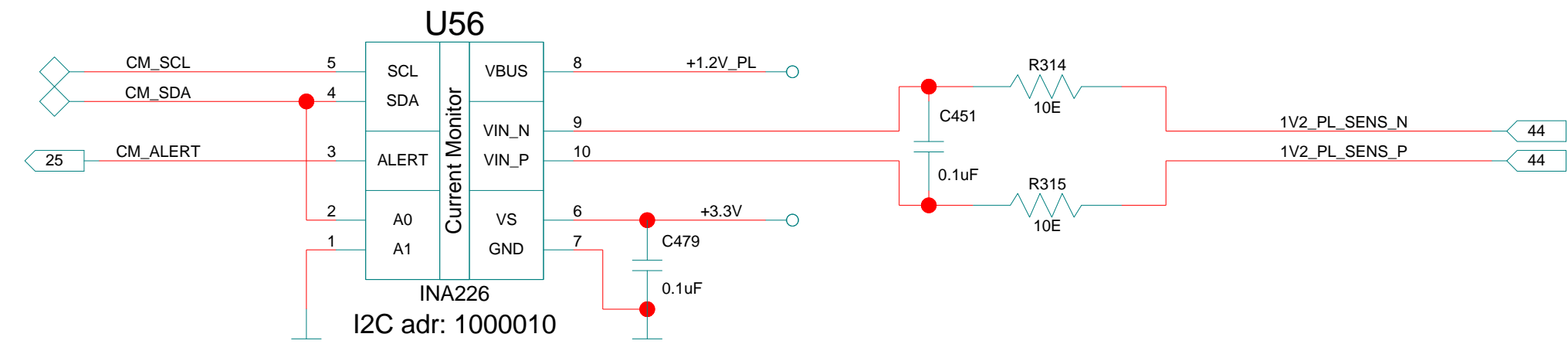
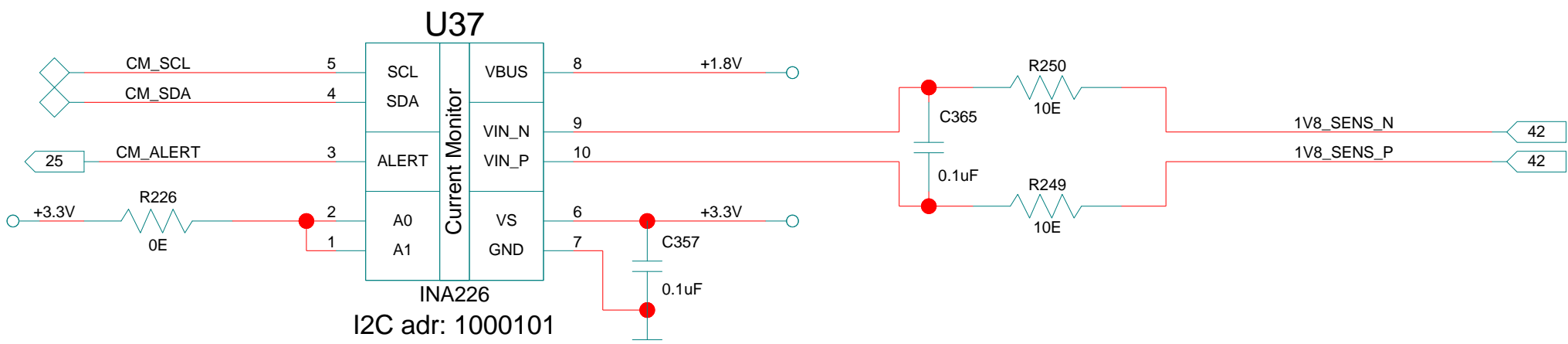
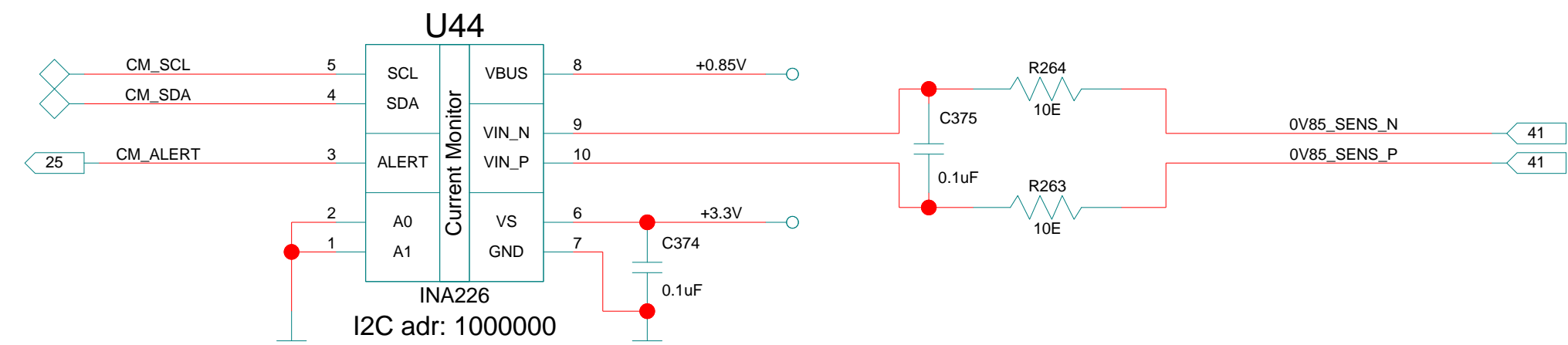


HiTech Global Distribution, LLC. www.HiTechGlobal.com		PCB P/N: ASSY P/N:	
TITLE: HTG-ZRF2-XUP PWR 5 RF LDO			
SIZE C	DATE 19/11/2020:17:44	DWG. NO.	REV 1.1
DESIGNED BY: IVI		SHEET 45 OF 49	

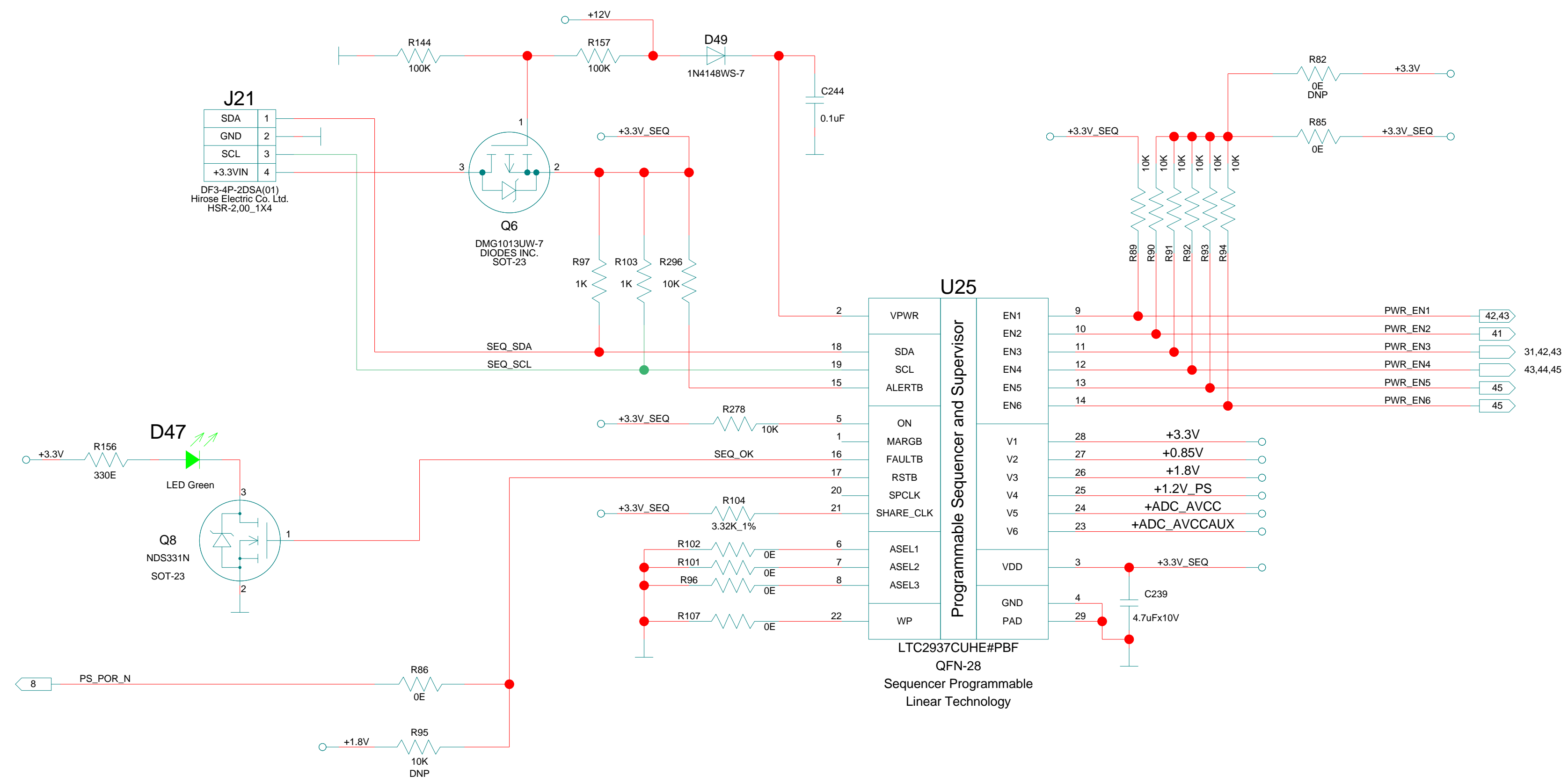


VOUT	DAC Code	DAC Voltage
3.3V	18	0.058V
2.5V	312	1.005V
1.8V	569	1.833V
1.2V	789	2.542V

HiTech Global Distribution, LLC. www.HiTechGlobal.com		PCB P/N: ASSY P/N:	
TITLE: HTG-ZRF2-XUP PWR 6 SYZGY			
SIZE C	DATE 19/11/2020:17:44	DWG. NO.	REV 1.1
DESIGNED BY: IVI		SHEET 46 OF 49	



HiTech Global Distribution, LLC. www.HiTechGlobal.com		PCB P/N: ASSY P/N:	
TITLE: HTG-ZRF2-XUP Current Monitor			
SIZE C	DATE 19/11/2020:17:44	DWG. NO.	REV 1.1
DESIGNED BY: IVI		SHEET 47 OF 49	



HiTech Global Distribution, LLC. www.HiTechGlobal.com		PCB P/N: ASSY P/N:	
TITLE: HTG-ZRF2-XUP Sequencer			
SIZE C	DATE 19/11/2020:17:44	DWG. NO.	REV 1.1
DESIGNED BY: IVI		SHEET 48 OF 49	

D

C

B

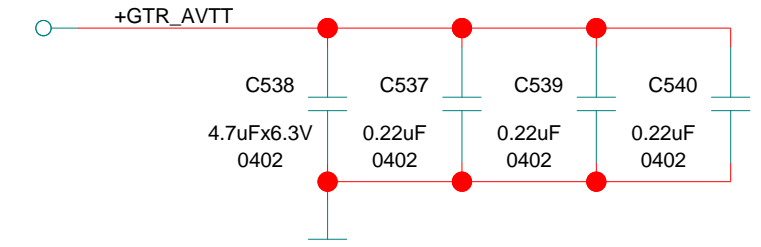
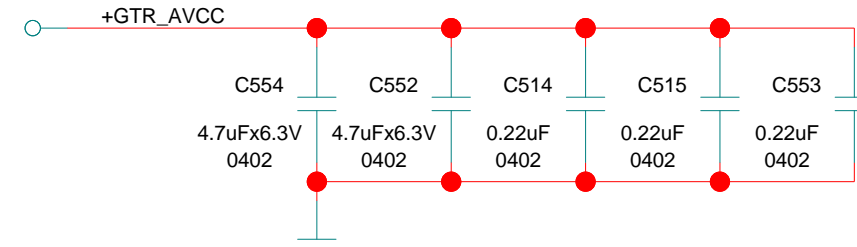
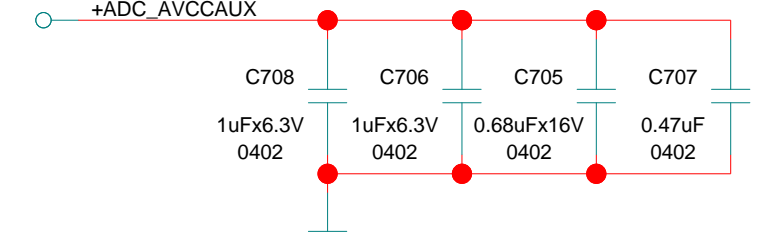
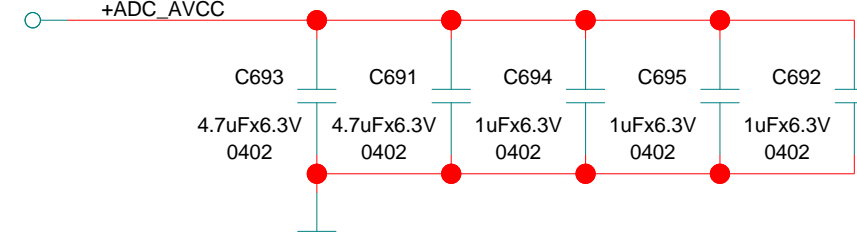
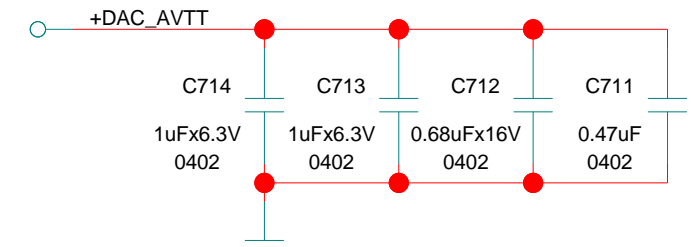
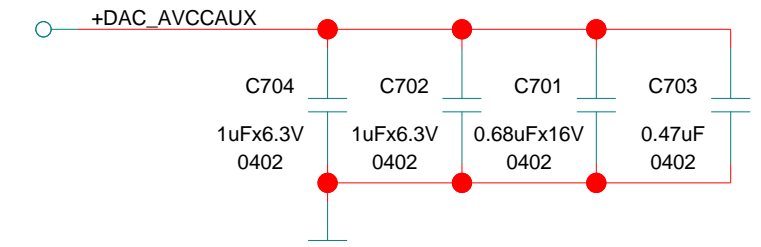
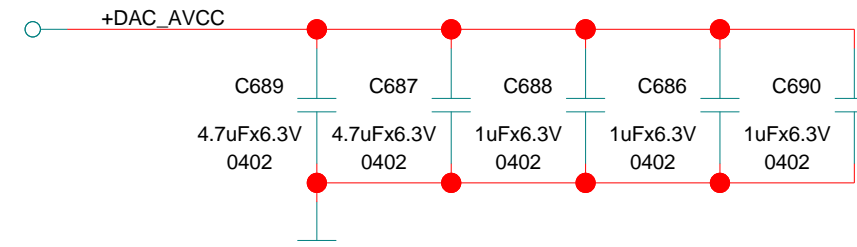
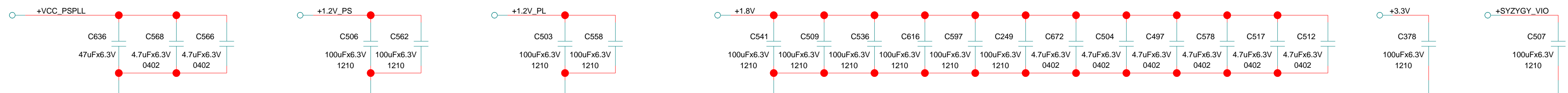
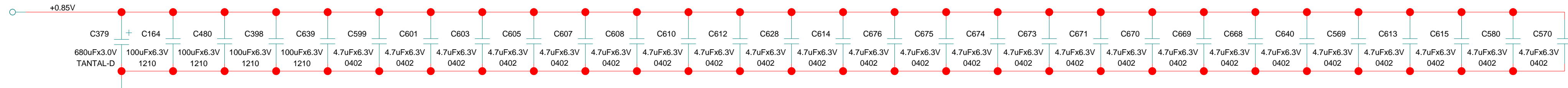
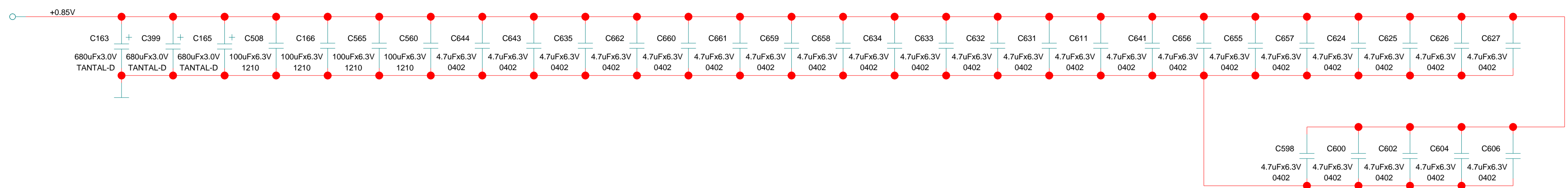
A

D

C

B

A



HiTech Global Distribution, LLC. www.HiTechGlobal.com		PCB P/N: ASSY P/N:	
TITLE: HTG-ZRF2-XUP CAPs			
SIZE C	DATE 19/11/2020:17:44	DWG. NO.	REV 1.1
DESIGNED BY: IVI		SHEET 49 OF 49	